

## Important information

### Serious risk of injury

When working on the engine, e.g. when adjusting the drive belts and clutch, or when changing oil, it is important not to start the engine. The engine could be damaged, but more importantly there is a serious risk of injury.

Secure the starting device or disconnect a battery cable before working on the engine. This is especially important if the engine has a remote starter or automatic starting.



#### **WARNING!**

This warning symbol and text can be found next to those maintenance items where it is particularly important to bear in mind the risk of injury.

---

## Operator's manual

### DI16 PDE Marine engine

#### en-GB 3 237 367

Issue 18.0



**WARNING:** This engine can expose you to chemicals including diesel engine exhaust which is known to the State of California to cause cancer and birth defects or other reproductive harm.

For exposures to diesel engine exhaust:

- Always start and operate the engine in a well-ventilated area.
- If in an enclosed area, vent the exhaust to the outside.
- Do not modify or tamper with the exhaust system.
- Do not idle the engine except as necessary.

For more information go to [www.P65Warnings.ca.gov](http://www.P65Warnings.ca.gov).

<b>Start of warranty</b> .....	<b>3</b>	system. ....	<b>53</b>
<b>Introduction</b> .....	<b>4</b>	<b>Fuel system</b> .....	<b>69</b>
<b>Certification</b> .....	<b>4</b>	Cleanliness requirements .....	69
<b>Power classes</b> .....	<b>5</b>	Checking the fuel level. ....	69
<b>Environment and safety</b> .....	<b>6</b>	Draining and renewing the single water separating prefilter (option). ....	70
Environmental liability .....	6	Draining the reversible water separating prefilter (option). ....	71
Information on parts with particularly hazardous substances .....	6	Renewing the reversible water separating prefilter (option) .....	73
Safety .....	7	Renewing the fuel filter .....	75
Warnings and advisories .....	8	Renewing and venting reversible fuel filters (option) .....	76
<b>Scania Engines engine warranty for marine engines</b> .....	<b>14</b>	Bleeding the fuel system .....	77
Emission control systems warranty. ....	14	<b>Other</b> .....	<b>79</b>
Emission control system warranty statement	14	Checking the drive belt .....	79
<b>Engine data plate</b> .....	<b>17</b>	Checking for leakage .....	80
<b>Component identification</b> .....	<b>18</b>	Checking and adjusting the valve clearance and unit injectors. ....	81
Engine .....	18	Renewing the reductant filters .....	86
SCR system. ....	20	<b>Quality requirements for fuel</b> .....	<b>89</b>
<b>Starting and driving</b> .....	<b>21</b>	Diesel .....	89
Checks before first start .....	21	Biodiesel (FAME) .....	93
checks before driving .....	23	Renewable diesel (HVO) .....	94
Starting the engine .....	23	Gas-to-liquids (GTL) .....	94
Driving .....	23	<b>Reductant with SCR</b> .....	<b>95</b>
Engine shutdown. ....	27	32.5% by weight of urea .....	96
Checks after driving .....	27	40% by weight of urea .....	96
<b>Maintenance</b> .....	<b>28</b>	<b>Preparing the engine for storage</b> .....	<b>97</b>
Maintenance interval. ....	29	Preservative products .....	97
<b>Lubrication system</b> .....	<b>30</b>	Preparations for storage .....	98
Oil grade .....	30	<b>Technical data</b> .....	<b>100</b>
Oil analysis .....	32	General data .....	100
Checking the oil level .....	33	Lubrication system .....	101
Maximum angles of inclination during operation	33	Intake system .....	101
Changing the oil .....	34	Cooling system. ....	101
Cleaning the centrifugal oil cleaner .....	35	Injection system .....	102
Operational testing of the centrifugal oil cleaner	39	Electrical system .....	102
Renewing the oil filter. ....	40	Material content .....	102
Renewing the reversible oil filter .....	41	<b>Tightening torque for screw joint</b> .....	<b>103</b>
<b>Air cleaner</b> .....	<b>42</b>	Screws and nuts .....	103
Reading the vacuum indicator. ....	42	Hose clamps .....	104
Renewing the air cleaner filter element and safety cartridge .....	43	<b>Scania Assistance</b> .....	<b>105</b>
Renewing an air filter with a non-renewable element. ....	43		
<b>Cooling system</b> .....	<b>44</b>		
Coolant .....	44		
Checking the coolant level .....	49		
Checking the coolant's antifreeze and corrosion protection .....	50		
Checking the sacrificial anodes. ....	51		
Checking the sea water pump impeller. ....	52		
Changing the coolant and cleaning the cooling			

---

## Start of warranty

The more we know about you, your company and your equipment, the more effectively we can adapt our services to you. If you have started to use a new Scania engine, it is very important that you send in the warranty start report to us immediately. Quite simply, we need to register all the details on engine ownership etc., so we can monitor it for you.

You can report the start of the warranty on the Scania website: [www.scania.com](http://www.scania.com).

**Note:**

If you do not send in the warranty report, the engine is not covered by the accompanying Scania warranty.

---

Also fill in below the details you enter in the warranty report. These details can facilitate contact with a workshop, for example. The engine serial number is on the engine data plate and is also engraved on the cylinder block.

---

Engine serial number (e.g. 1111111)

---

Ship ID (for example MMSI 111111111 or IMO 1111111)

---

Start date (yyyy-mm-dd)

---

Company name

---

Contact person

---

Telephone number

---

E-mail address

---

Address

---

Postcode

---

Postal town

---

State/County

---

Country

## Introduction

This Operator's manual describes the operation and maintenance of Scania marine engines.

The engines are direct-injection, liquid-cooled, four-stroke diesel engines with turbochargers. Certain engines are also equipped with an SCR system for emission control.

The engines are available with different output and engine speed settings. The engine power of the engine ordered is indicated on the engine data plate.

### Note:

Only standard components are described in the operator's manual. Information about special equipment is contained in instructions from the various manufacturers.

To ensure the maximum performance and the longest service life for the engine remember the following:

- Read through the Operator's manual before starting to use the engine. Even regular users of Scania engines will get new information from the Operator's manual.
- Always follow the maintenance instructions.
- Read the section on safety carefully.
- Get to know your engine so that you know what it can do and how it works.
- Always contact an authorised Scania workshop for maintenance and repairs.

The information in this Operator's manual was correct at the time of going to press. Scania reserves the right to make alterations without prior notice.

### Note:

Always use Scania spare parts for maintenance and repair.

## Certification



### IMPORTANT!

For Scania to guarantee that the engine corresponds to its certified configuration, and take responsibility for any damage and injuries that occur, maintenance must be carried out in accordance with the instructions in this Operator's manual.

An emissions certified engine fulfils the emissions requirements for a particular range of application.

On each emissions certified engine there is a label which shows which requirements the engine fulfils. Scania guarantees that each such engine fulfils the emissions requirements for the range of application for which it is certified.

The following are required for the certified engine to fulfil the emissions requirements once it has been taken into service:

- Maintenance is to be carried out in accordance with the instructions in this Operator's manual.
- Maintenance and repairs of injection equipment are to be carried out by an authorised Scania workshop.
- The engine may only be modified with equipment that has been approved by Scania.
- Seals may be broken and setting data edited only once approval has been granted by Scania. Modifications may be made by authorised personnel only.
- Modifications affecting the exhaust and intake systems must be approved by Scania.

Otherwise, the instructions in the Operator's manual for the running and maintenance of the engine shall apply. Follow the safety precautions on the following pages.

## Power classes

Scania supplies engines in 5 different power classes:

**ICFN, Continuous service:** Intended for continuous operation and an unlimited number of operating hours per year at a total load factor of 100% provided that the engine speed is at a minimum of 85% of the nominal value of the engine. If the engine speed is below 85% of the nominal value, the rated power is available for 1 hour in a 6-hour period and the average load must not exceed 80% of the power at the current rotational speed.

**IFN, Intermittent service:** Intended for periodic use, where the rated power is available for 1 hour per 3-hour period. The total load factor must not exceed 80% of the rated power. Unlimited number of operational hours per year.

**Patrol craft long:** Intended for periodic use, where the rated power is available for 1 hour per 6-hour period. In between periods of operation at full load, the engine speed must be reduced by at least 10% of the maximum engine speed attained. The total operating time must not exceed 2,000 hours per year.

**Patrol craft short:** Intended for periodic use, where the rated power is available for 1 hour per 12-hour period. In between periods of operation at full load, the engine speed must be reduced by at least 10% of the maximum engine speed attained. The total operating time must not exceed 1,200 hours per year.

**PRP, Prime Power:** Intended for continuous use and an unlimited number of operational hours with varying loads. For continuous operation and unlimited annual operating time with varying loads. Max. average load factor of 70% of rated power during 24 hours of operation. 1 hour/12 hour period over 100% load. Max. 25 hours accumulated service time over 100% load per year. This power class applies to single-speed engines.

The engine serial numbers and power classes for the engines that are used in this installation should be listed below: You can find the power class of your engine in the engine type data sheet on the Scania website, [www.scania.com](http://www.scania.com).

Engine serial number:

\_\_\_\_\_

Motor type:

\_\_\_\_\_

Engine power:

\_\_\_\_\_ kW at \_\_\_\_\_ rpm

**ICFN, Continuous service**

**IFN, Intermittent service**

**Patrol craft long**

**Patrol craft short**

**PRP, Prime power**

## Environment and safety

### Environmental liability

Scania develops and produces engines that are as environmentally-friendly as possible. Scania has made major investments in the reduction of harmful exhaust emissions in order to fulfil the environmental requirements in force in almost every market.

At the same time, we have been able to maintain a high level of performance quality and operating economy for Scania engines. To maintain these throughout the entire service life of the engine, it is important for the user to follow the instructions on running, maintenance and fuel, lubricating oil and coolant as outlined in the Operator's manual.

Other green initiatives taken include ensuring that, following maintenance and repair, waste that is harmful to the environment (for example oil, fuel, coolant, filters and batteries) is disposed of accordance with the applicable environmental requirements.

### Information on parts with particularly hazardous substances

#### Note:

A number of component parts on the engine contain materials with particularly hazardous substances.

The substances have properties that can have a serious and lasting effect on human health and the environment.

---

If a part or component parts contain more than 0.1% by weight of a substance listed on the REACH candidate list, the supplier must provide information about the substance.

The requirement is defined in Article 33 of the REACH Regulation (EC 1907/2006) and applies within the EU, Liechtenstein, Norway and Iceland.

<https://echa.europa.eu/candidate-list-table>.

A list of engine parts containing substances in the candidate list is provided by Scania.

<https://sure.scania.com/reach>.

According to Article 9 of the EU Waste Framework Directive ((EU) 2018/851), manufacturers of parts containing more than 0.1% by weight of a particular hazardous substance must communicate this to the EU Chemicals Agency (ECHA).

Scania supplies individual notification numbers in SCIP for affected vehicles.

<https://sure.scania.com/>

The notification number can be used to search the ECHA SCIP database.

<https://echa.europa.eu/scip-database>

## Safety

The following pages contain a summary of the safety precautions to be complied with when operating and maintaining Scania engines. The equivalent text can also be found under the relevant maintenance item.

To prevent damage to the engine and to ensure that it runs optimally, follow the instructions in the warnings and advisories.

If the instructions are not followed, the warranty can cease to apply.

### Different types of advisory

#### Warning!

All advisories preceded by Warning! are very important. They warn of serious faults and incorrect operation that could lead to personal injury. Example:



#### **WARNING!**

Secure the starting device or disconnect a battery cable before working on the engine. If the engine starts unexpectedly, there is a serious risk of injury.

---

## Important!

Advisories preceded by Important! warn of faults and incorrect operation that could lead to equipment being damaged. Example:



### IMPORTANT!

An excessive coolant temperature can cause engine damage.

---

## Please note:

Advisories preceded by Note: refer to information important to ensure the best possible operation and functionality. Example:

### Note:

Leave the engine off for at least 7 minutes before you check the oil level.

---

## Environment

This Operator's manual contains specially highlighted text with instructions to help protect the environment during maintenance. Example:



### Environment

Use a suitable container. The fuel collected must be disposed of as specified in national and international laws and regulations.

---

## Warnings and advisories

### Smoking



### WARNING!

Smoking is prohibited

- in the vicinity of flammable or explosive material, e.g. fuel, oils, batteries, chemicals
  - when refuelling and in the vicinity of the filling station
  - when working on the fuel system
- 

### Safety precautions for running the engine

#### Daily maintenance

Always carry out a visual inspection of the engine and engine compartment before starting the engine or when the engine has been switched off after operation.

This inspection should be done to detect fuel, oil or coolant leaks, or anything else that may require corrective action.



## Fuel



### WARNING!

The wrong fuel grade can cause breakdowns or stoppages by causing the injection system to malfunction. This can cause damage to the engine and, possibly, personal injury.

---



### REQUIREMENT!

Use only fuel which fulfils the requirements in the [Quality requirements for fuel](#) section.

---

## Refuelling



### WARNING!

During refuelling there is a risk of fire and explosion. The engine must be switched off and smoking is prohibited.

Never overfill the tank as the fuel needs space to expand. Make sure that the filler cap is fully closed.

---

## Hazardous gases



### WARNING!

Only start the engine in a well-ventilated area. The exhaust gases contain carbon monoxide and nitrogen oxides, which are toxic.

When the engine is run in an enclosed space, there must be an effective device to extract exhaust gases and crankcase gases.

---

## Starter lock



### IMPORTANT!

If the instrument panel is not fitted with a starter lock, the engine compartment should be locked to prevent unauthorised personnel from starting the engine. Alternatively, a lockable master switch or battery master switch can be used.

---

## Starter gas



### WARNING!

Never use starter gas or similar agents to help start the engine. This can cause an explosion in the intake manifold and possible injury.

---

## Driving



### WARNING!

The engine must not be run in environments where there is a risk of explosion, as all of the electrical or mechanical components can generate sparks.

Approaching a running engine always poses a safety risk. Parts of the body, clothes or dropped tools can get caught in rotating parts such as the fan and cause injury. For personal safety all rotating parts and hot surfaces must be fitted with guards.

---

## Safety precautions for handling materials

### Fuel and lubricating oil



#### WARNING!

All fuels and lubricants as well as many chemicals are flammable. Always follow the instructions on the relevant packaging.

The work must be carried out on a cold engine. Fuel leaks and spillages on hot surfaces can cause fire.

Store used rags and other flammable materials safely so as to avoid spontaneous combustion.

---

### Batteries



#### WARNING!

The batteries contain and form oxyhydrogen gas, particularly during charging. Oxyhydrogen gas is flammable and highly explosive.

There must be no smoking, naked flames or sparks near the batteries or the battery compartment. Incorrect connection of a battery cable or jump lead can cause a spark, which can cause the battery to explode.

---

## Chemicals



#### WARNING!

Most chemicals such as glycol, anti-corrosive agents, preservative oils and degreasing agents, are hazardous to health. Some chemicals, such as preservative oil, are also flammable. Always follow the safety precautions on the packaging.

Store chemicals and other materials which are hazardous to health in approved and clearly marked containers, where they are inaccessible to unauthorised persons.

---



## Environment

Excess and used chemicals must be disposed of as specified in national and international laws and regulations.

---

## Reductant

Reductant (AdBlue®, DEF, ARLA 32 eller AUS 32/AUS 40) is used in the reductant tank for engines fitted with an SCR system.

The reductant is not toxic, but it is still important to observe the following when working on the reductant circuit:

- If reductant comes in contact with the skin: Wash with soap and plenty of water.
- If reductant splashes in the eyes: Rinse immediately using an eye bath and then seek medical attention.
- Change clothes if they have been spilled on.

 **REQUIREMENT!**

Use only reductant which fulfils the requirements in the [Reductant with SCR](#) section.

---

## Safety precautions for maintenance

### Switch off the engine

 **WARNING!**

Working on a running engine always poses a safety risk. Parts of the body, clothes or dropped tools can get caught in rotating parts and cause injury.

---

Always switch off the engine before carrying out maintenance, unless otherwise indicated.

Make it impossible to start the engine: Remove any starter key, or cut the power using the main power switch or battery master switch and lock them.

Fix a warning plate somewhere appropriate, showing that work is being carried out on the engine.

### Hot surfaces and fluids

 **WARNING!**

There is always a risk of sustaining burns when an engine is hot. Particularly hot parts are branch pipes, turbochargers, oil sumps, and hot coolant and oil in pipes and hoses.

---

## Lubrication system

 **WARNING!**

Hot oil can cause burns and skin irritation. Wear protective gloves and eye protection when changing hot oil.

Make sure that there is no pressure in the lubrication system before starting work on it.

Make sure that the oil filler cover is fitted when starting and driving in order to avoid oil escaping.

---

 **Environment**

Used oil must be disposed of as specified in national and international laws and regulations.

---

## Cooling system

 **WARNING!**

Never open the coolant filler cap when the engine is hot. Hot coolant and steam may spray out and cause burns. If the cap has to be opened do it slowly to release the pressure before removing the cap. Wear protective gloves as the coolant is still very hot.

Avoid skin contact with coolant as this may cause irritation to the skin. Wear eye protection and gloves when handling coolant.

Ethylene glycol can be fatal if ingested.

---

 **Environment**

Used coolant must be disposed of as specified in national and international laws and regulations.

---

## Fuel system



### WARNING!

Maintenance and repairs of injection equipment are to be carried out by an authorised Scania workshop.

Always use Scania spare parts for the fuel and electrical systems. Scania spare parts are designed to minimise the risk of fire and explosion.

---



### Environment

Use a suitable container. The fuel collected must be disposed of as specified in national and international laws and regulations.

---

## SCR system



### IMPORTANT!

Cleanliness is very important when working on the reductant circuit. Clean thoroughly around all parts to be dismantled to prevent dirt from entering the system.

When working on the SCR system, the reductant connections may only be lubricated with aqueous soft soap solution or with distilled water with a 3% urea mixture. Any other types of lubricant may block and damage components in the SCR system.

Reductant causes certain metals to corrode. Always rinse away reductant spillage on connections and other parts with lukewarm water to prevent corrosion. If reductant seeps into electrical connections or electrical cables, these must be renewed.

---

## Electrical system



### WARNING!

Switch off the engine and switch off the power by disconnecting the electrical cables to the battery. External power supplies to extra equipment in the engine must also be disconnected.

Always use Scania spare parts for the fuel and electrical systems. Scania spare parts are designed to minimise the risk of fire and explosion.

---

## Electric welding



### WARNING!

When carrying out welding work on and near the engine, disconnect the battery and alternator leads. Pull out the multi-pin connector for the engine control unit as well.

---

Connect the welding clamp close to the component to be welded. The welding clamp must not be connected to the engine, or so that the current can cross a bearing.

When welding is finished:

1. Connect the alternator and engine control unit cables.
2. Connect the batteries.

## Batteries



### WARNING!

The batteries contain highly corrosive sulphuric acid. Take care to protect your eyes, skin and clothes when charging or handling batteries. Wear protective gloves and eye protection.

If sulphuric acid comes in contact with the skin: Wash with soap and plenty of water. If it gets in your eyes: Rinse immediately with plenty of water and seek medical attention.

---



### Environment

Used batteries must be disposed of as specified in national and international laws and regulations.

---

## Before starting



### WARNING!

Ensure that all guards are in place before starting the engine. Ensure that no tools or other objects have been left on the engine.

The air filter must be fitted before starting the engine. Otherwise there is a risk of objects being sucked into the compressor impeller or of injury if you come into contact with the air filter.

---

## Cybersecurity



### IMPORTANT!

The machine manufacturer is responsible for ensuring that all engine management communication is protected against all forms of cyber attack.

The machine manufacturer is also responsible for ensuring the engine can be operated safely in all conditions, including the option of shutting off the engine in the event of disruption to communications with or without engine control.

---

# Scania Engines engine warranty for marine engines

## Emission control systems warranty



### IMPORTANT!

This section is only applicable to engines used in the U.S.A, and to engines without exhaust gas aftertreatment system (SCR system).

This section is not applicable to incorrectly installed or non-Scania low pressure fuel system components.

### Table of Contents

General warranty provisions	12
Warranty period	12
Parts covered by the Warranty	13
General warranty limitations	13
Specific warranty exclusions	14
Customer support	14

## Emission control system warranty statement

### General warranty provisions

The emission control systems of your new Scania Engines (“Scania”) marine diesel engine were designed, built and tested using genuine parts, and were certified as being in conformity with federal emission control regulations. Scania warrants to the original owner, and to each subsequent owner, of a new Scania marine diesel engine (“You”) that the emission control system of your engine:

1. Was designed, built and equipped so as to conform at the time of sale with all applicable regulations under Section 213 of the Clean Air Act, 42 U.S.C. § 7547, and
2. Is free from defects in material and workmanship which would cause such engine to fail to conform to applicable regulations for its warranty period.

### Warranty period

This warranty shall apply for one of the following periods, whichever occurs first:

- A period of operating hours equal to at least 50 percent of the engine's useful life in operating hours, or
- A period of years equal to at least 50 percent of the engine's useful life in years;
- Except that the warranty period shall apply for a period not less than any mechanical warranties provided by Scania to the owner.

The warranty period shall begin:

- On the date the marine vessel is delivered to the first retail purchaser, or
- If the marine vessel is placed in service for demonstration purposes prior to sale at retail, on the date the engine is first placed in service.

The emission-related warranty is valid for:

- 500 hours or 5 years for recreational engines, whichever comes first.
- 5000 hours or 5 years for commercial engines, whichever comes first.

## Parts covered by the Warranty

The following is a list of parts considered a part of the Emission Control Systems and is covered by the Emission Warranty for engines which were built to conform to applicable U.S. Environmental Protection Agency regulations:

1. Fuel system
2. Air-induction system
  - a) Intake manifold
  - b) Turbocharger system
  - c) Charge air cooler system
3. Exhaust manifold
4. Combustion chamber
  - a) Piston
  - b) Cylinder head
5. Crankcase ventilation
6. Sensors
  - a) Engine speed sensors
  - b) Oil pressure sensor
  - c) Coolant temperature sensor
  - d) Coolant level sensor
  - e) Charge air pressure sensor
  - f) Charge air temperature sensor
7. Electronic control unit
8. Components used in the above mentioned systems



### IMPORTANT!

This list does not include all expendable maintenance parts. Expendable emission related parts requiring scheduled maintenance are warranted until their first scheduled replacement point. See Specific warranty exclusions below.

## General warranty limitations

To retain the dependability of the exhaust emission control originally built into your Scania marine diesel engine, it is essential that the engine is installed according to Scania installation instructions and emission certificates.

In addition, You are responsible for the performance of all scheduled maintenance or repairs on your new Scania marine diesel engine. Scania may deny a warranty claim if your failure to perform maintenance resulted in the failure of the warranted part.

Receipts covering the performance of regular maintenance should be retained in the event questions arise concerning maintenance. The receipts should be transferred to each subsequent owner of the marine vessel with the emission warranted engine.

The Warranty covers the cost of repair and replacement parts and services of warranted components and systems performed by an authorized Scania distributor or dealer using genuine Scania parts. You may elect to have maintenance, replacement or repair of these components and systems performed by any repair establishment or individual without invalidating the Warranty.

The use of other than Scania replacement parts also does not invalidate the warranty on other components unless such parts cause damage to warranted parts. However, the cost of such services or parts will not be covered by the Warranty.

If you install the engine in a way that makes the engine's emission control information label hard to read during normal engine maintenance, you must place a duplicate label on the vessel, as described in 40 CFR 1068.105.



### IMPORTANT!

Use of replacement parts which are not of equivalent quality may impair the effectiveness of emission control systems. Accordingly, it is recommended that only Scania repair or replacement parts be used for maintenance, repair or replacement of emission control systems.

If other than Scania parts are used for maintenance, repair or replacement, the owner should obtain assurance that such parts are warranted by their manufacturer to be equivalent to genuine Scania parts.

## Specific warranty exclusions

### This warranty does not cover:

1. Malfunctions in any part caused by any of the following: misuse, abuse, improper adjustments, modifications, alteration, tampering, disconnection, improper or inadequate maintenance, or use of fuels not recommended for the engine as described in the Operator's Manual.
2. Engine installation, including cooling system, intake system and exhaust system installation, that is not completed in accordance with the Scania installation instructions and emissions certificate for this engine type, unless engine installation is the engine manufacturer's fault or responsibility.
3. Damage resulting from accidents, acts of nature or other events beyond the control of Scania.
4. The replacement of expendable maintenance items such as filters, hoses, belts, oil, thermostat, exhaust system and coolant made in connection with scheduled maintenance services once these parts have been replaced.
5. Replacement items which are not genuine Scania parts or not authorized by Scania as of equal quality to the original parts.
6. Inconvenience, loss of use of the marine vessel or commercial loss.
7. Any marine vessel on which the actual use cannot be accurately determined.
8. Any marine vessel operating outside the United States.

## Customer support

In the event that You do not receive the warranty service to which You believe You are entitled under the Warranty, or if You need additional support or information concerning the Warranty, please contact:

### Scania USA, Inc.

Address: 121 Interpark Blvd, suite 1002, 78216, San Antonio, Texas

Mailing address: 121 Interpark Blvd, suite 1002, 78216, San Antonio, Texas

Telephone: +1 210 403 0007

Fax: +1 210 403 0211

E-mail: [na.contact@scania.com](mailto:na.contact@scania.com)



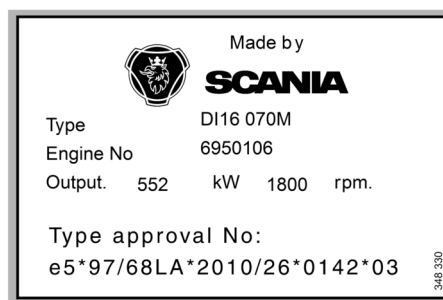
## Engine data plate

The engine data plate indicates, in the form of a code, the engine type, its size and applications. It also indicates the engine power and the nominal engine speed. The engine's EU type approval for exhaust emissions is indicated under *Output*, where applicable.

The engine serial number is stamped onto the top of the cylinder block at the front right.

### Example: DI16 070M

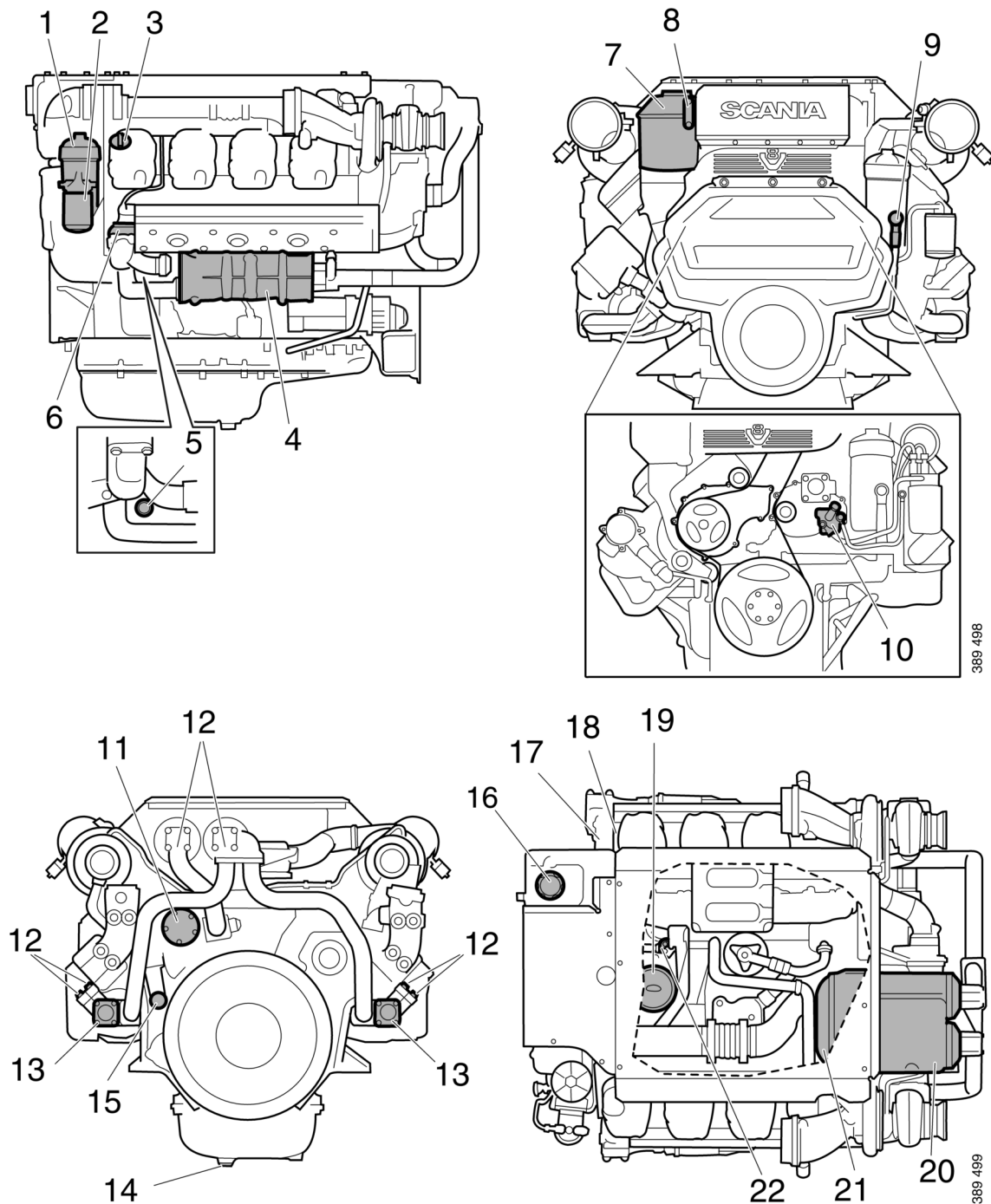
- DI turbocharged diesel engine with water-cooled charge air cooler.
- 16 Displacement in whole dm<sup>3</sup>.
- 070 Performance and certification code. The code indicates, together with the application code, the normal gross engine output.
- M Code for application. M means for marine use.



*Example of an engine data plate.*

## Component identification

### Engine



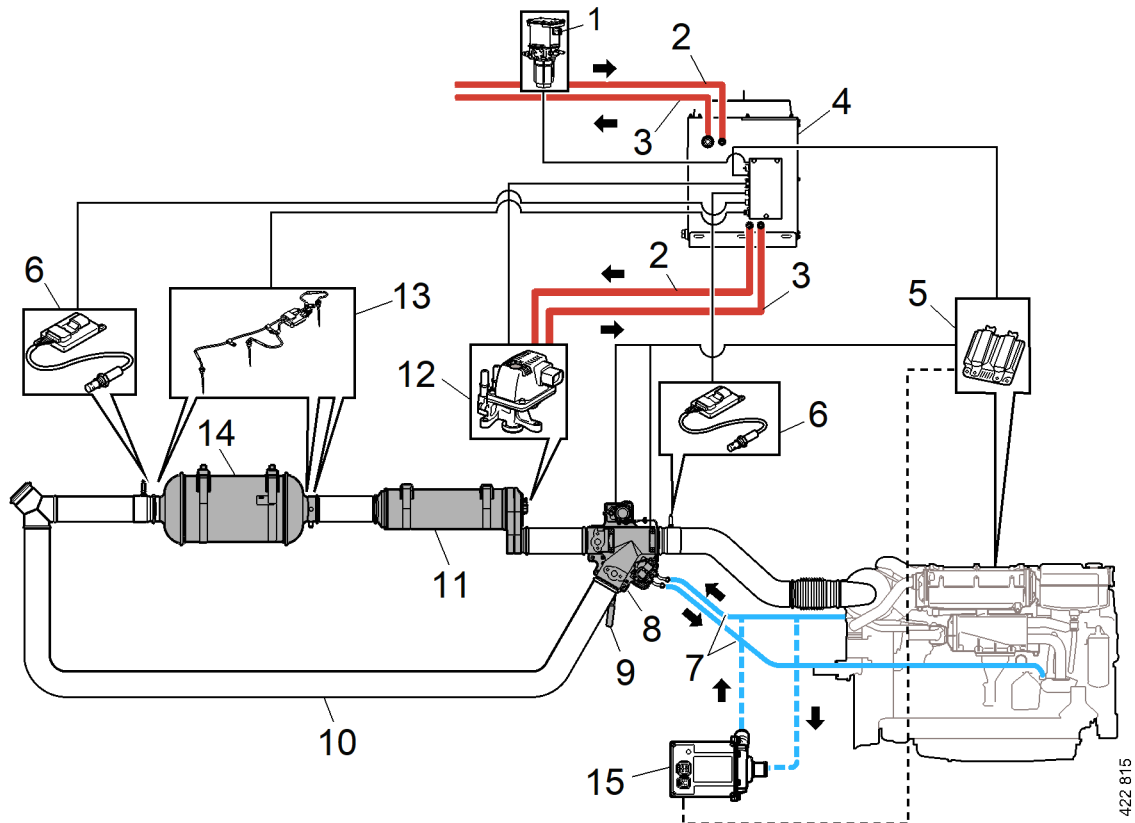
*The illustrations show a normal version of a D116 engine with heat exchanger. The engine ordered may have different equipment.*

1. Oil filter.
2. Fuel filter.
3. Oil filler.
4. Heat exchanger (1 on each side).

5. Nipples for draining and filling coolant (1 on each side behind the heat exchanger).
6. Thermostat (1 on each side)
7. Expansion tank.
8. Level glass for checking coolant level.
9. Oil dipstick.
10. Hand pump for fuel.
11. Sea water pump.
12. Sacrificial anodes (6).
13. Sea water outlet.
14. Oil plug.
15. Sea water intake.
16. Filling coolant.
17. Engine serial number, stamped into the cylinder block.
18. Engine data plate.
19. Centrifugal oil cleaner.
20. Charge air cooler.
21. Holes for draining condensation in charge air cooler (2 pcs on the underside).
22. Fuel manifold bleed nipple.

## SCR system

For engines equipped with SCR systems, the illustration shows an overview of the component parts of the SCR system.



1. Reductant pump (option).
2. Reductant pressure pipe.
3. Reductant return pipe.
4. Reductant tank (buffer tank).
5. Engine control unit.
6. NOx sensor with control unit.
7. Coolant pipe.
8. Exhaust routing valve.
9. Handle to bypass the SCR system.
10. Bypass pipe.
11. Evaporator.
12. Reductant doser.
13. Exhaust gas temperature sensor. SCR catalytic converter.
14. Coolant pump for the exhaust routing valve (option).

422 815

## Starting and driving

### Checks before first start

Before the engine is started for the first time, carry out the maintenance items listed under First start in the maintenance schedule. Check the following (also see [Maintenance interval](#)):

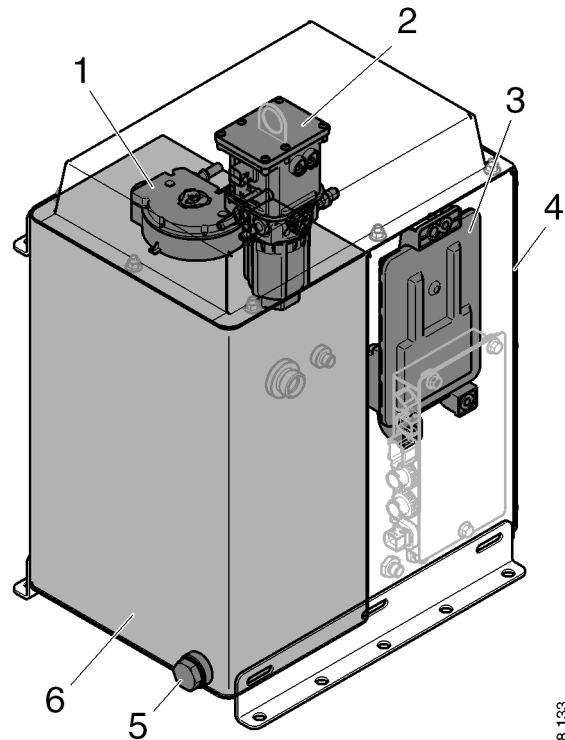
- Oil level.
- Coolant.
- Fuel level.
- Fluid level in batteries.
- Battery state of charge.
- Condition of the drive belt.

### Reductant tank

The illustration shows the component parts of the reductant tank (buffer tank). You can access the reductant pump in the tank by opening the inspection hatch (4) on the right-hand side of the tank.

Reductant volume:

- Total volume: 30 litres (7.9 US gallons).
- Filling volume: 16 litres (4.2 US gallons).



388 133

#### *Reductant tank*

- 1. Reductant pick-up unit.*
- 2. Reductant pump.*
- 3. EEC3 control unit*
- 4. Inspection hatch.*
- 5 Drain plug.*
- 6. Reductant tank.*

## Reductant pump

When the reductant pump is new, the check valves may need to be slackened.

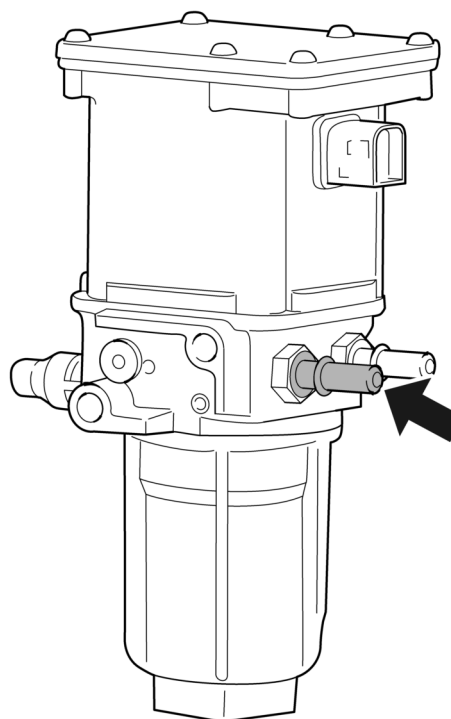
### Note:

There may be 2 reductant pumps: 1 located in the reductant tank and 1 located between the main tank for reductant and the buffer tank.



### IMPORTANT!

Blow the reductant pump suction nipple with compressed air (approx. 6 bar) for at least 3 seconds before starting the engine for the first time.



336 838

*Reductant pump suction nipple.*

## Reset button on the reductant tank

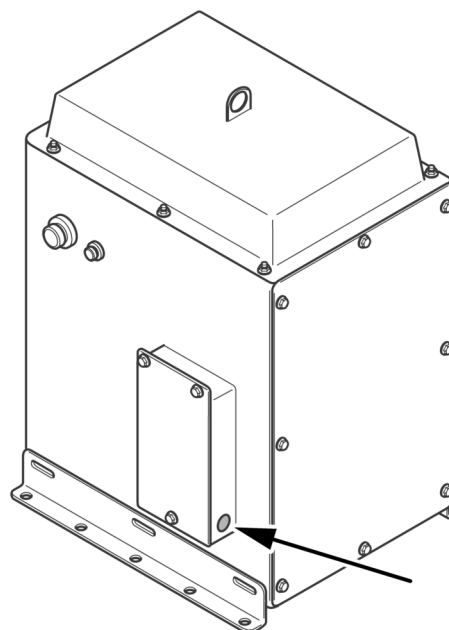
The reductant tank has a reset button that can be used, for example, when the tank is topped up for the first time.

When the Scania EEC3 control unit checks filling, the following applies:

- If you keep the button depressed for 5 seconds, the reductant pump operates for 30 minutes. This function can be used, for example, when the tank is topped up for the first time or after cleaning.
- If the reductant pump is operating and you briefly press the button, the pump stops and a fault code is generated.

The reductant pump can be restarted by pressing the button, thus also making the fault code passive.

- If the level does not increase even though the reductant pump is running, the pump is switched off and a fault code is generated. If you briefly press the button, the pump restarts.



388 132

*Reset button.*

## checks before driving

Carry out daily maintenance as described in the maintenance schedule prior to operation. See [Maintenance interval](#).

## Starting the engine



### WARNING!

Never use starter gas or similar agents to help start the engine. This can cause an explosion in the intake manifold and possible injury.

Only start the engine in a well ventilated area. When the engine is run in an enclosed space, there must be effective devices to extract exhaust gases and crankcase gases.



### IMPORTANT!

The starter motor must only be cranked twice for 30 seconds at a time. After that, it must rest for at least 5 minutes before the next attempt to start it.

For environmental reasons the Scania engine has been developed to be started with a low fuel feed. Using unnecessarily large amounts of fuel when starting the engine always results in emissions of unburnt fuel.

1. Open any fuel cock.
2. Disengage the engine.
3. If the engine has a battery master switch:  
Switch on the power by means of the battery master switch.
4. Start the motor.

If the fuel tank has been run dry or if the engine has not been used for a long time, bleed the fuel system. See the section [Bleeding the fuel system](#).

## Starting at low temperatures

Take the local environmental requirements into account. Use a fuel heater and engine heater to avoid starting problems and white smoke.

Scania recommends that an engine heater should be used if the engine will be used at temperatures below -10°C (14°F).

A low engine speed and a moderate load on a cold engine limits white smoke, gives better combustion and warms up the engine more quickly than warming it up with no load.

Avoid running it longer than necessary at idling speed.

## Driving

Check instruments and warning lamps at regular intervals.

### Engine speed range

The engine operating speed range is between low idling and the nominal engine speed. The nominal engine speed is indicated on the engine data plate. Low idling can be set between 500 and 1,050 rpm.

## Limp home operation

If there is a fault in the normal throttle opening or if CAN communication is interrupted, the following emergency operation option is provided:

A CAN fault or throttle opening fault in an all-speed engine (both signal and idling switch):

- The throttle opening value is 0% and the engine is running at normal idling speed.
- The throttle opening value is 0% and the engine runs at fixed raised idling speed (800 rpm) if this function is activated.

CAN fault:

- The engine is switched off if the shutdown function is activated.

## Driving at high altitude

When driving at high altitudes engine power is reduced automatically due to the lower oxygen content in the air. It is then not possible to run the engine at maximum power.

- ICFN and PRP engines may be used at an altitude of up to 2,000 metres.
- IFN, Patrol Craft Long and Patrol Craft Short engines must not be used at an altitude of more than 1,000 metres.
- Contact Scania if the operating conditions deviate from these.

## Coolant temperature



### IMPORTANT!

An excessive coolant temperature can cause engine damage.

Normal coolant temperature during operation is 90 to 95°C/194 to 203°F for engines with a heat exchanger and 83 to 88°C/181 to 190°F for engines with keel cooling.

Alarm levels are set in the engine control unit. The default setting for the lowest and highest limit values for high coolant temperature are 95°C/203°F and 105°C/221°F respectively.

The high coolant temperature alarm has the following functions:

- Alarm only.
- Alarm and torque reduction at the lowest limit value.
- Alarm at the lowest limit value and engine shutdown at the highest limit value.
- Alarm, torque reduction at the lowest limit value and engine shutdown at the highest limit value.
- Alarm at the lowest limit value and engine shutdown at the highest limit value with the possibility of engine shutdown override control.
- Alarm, torque reduction at the lowest limit value and engine shutdown at the highest limit value, with the possibility of engine shutdown override control.

If run for extended periods under an extremely light load, the engine may have difficulty in maintaining the coolant temperature. At an increased load the coolant temperature rises to the normal value.



## Oil pressure

Normal oil pressure during operation is 3-6 bar (43.5-87 psi). The lowest permitted oil pressure when idling is 0.7 bar (10.2 psi).

The incorrect oil pressure alarm has the following functions:

- Alarm only.
- Alarm and torque reduction by 30%.
- Alarm and engine shutdown.
- Alarm and engine shutdown override control.

### Note:

High oil pressure (above 6 bar/87 psi) is normal if the engine is cold when started.

---

## Alarm levels, engines without SCR system

If the engine does not have the SCR system, the engine management system activates an alarm at the levels below. The values refer to overpressure, not absolute pressure. The alarm is activated after 3 seconds.

- At an engine speed below 1,000 rpm and an oil pressure below 0.7 bar (10.2 psi).
- At an engine speed above 1,000 rpm and an oil pressure below 2.5 bar (36.3 psi).

## Alarm levels, engines with SCR system

If the engine is fitted with the SCR system, the engine management system activates an alarm at the levels below. The values refer to overpressure, not absolute pressure. The alarm is activated after 10 seconds.

- At an engine speed below 600 rpm and an oil pressure below 0.7 bar (10.2 psi).
- At 1,200 rpm and with oil pressure below 2.2 bar (32 psi).
- At 2,100 rpm and with oil pressure below 2.8 bar (40.6 psi).

## Charging indicator lamp

If the lamp comes on during operation: Check and adjust the alternator drive belt according to the instructions in the section [Checking the drive belt](#).

If the charging indicator lamp is still on, this could be due to an alternator fault or a fault in the electrical system.

## Belt transmission

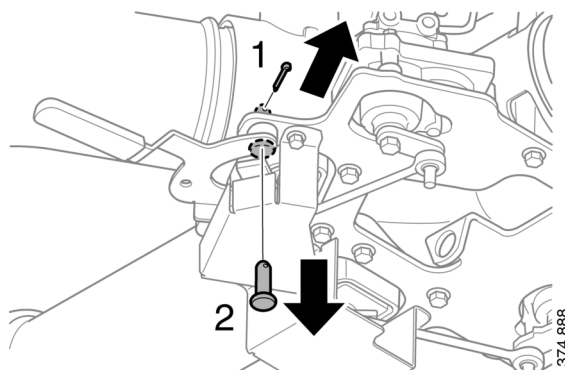
When the belt transmission is new, it may make a squeaking noise when running. This noise is normal and disappears after 50-100 hours of operation. The noise does not affect the service life of the belt transmission.

## Bypass of the SCR system

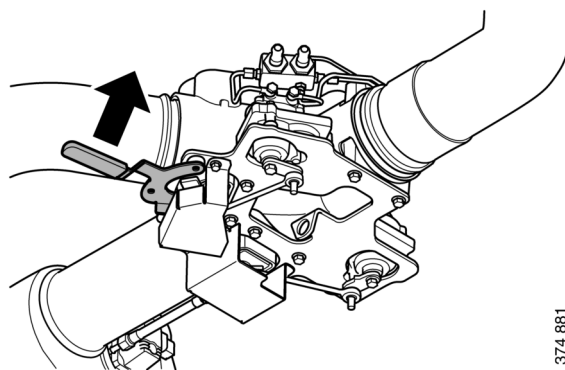
If the SCR system has been activated and needs to be bypassed in an emergency, this can be done manually using the handle on the exhaust routing valve.

Proceed as follows:

1. Remove the pin.
2. Remove the bolt.



3. Pull the handle to the *Open* position. See illustration.



4. Lock the handle in the open position using the pin and the bolt.

## Engine shutdown



### IMPORTANT!

There is risk of the oil boiling and of damage to the turbocharger if the engine is switched off without cooling. The power must not be switched off before the engine has stopped.

If the engine is fitted with a battery master switch and an SCR system, the SCR system must run for a while after the engine has been switched off to allow it to cool down. During this period the power must not be cut using the battery master switch.

---

### Note:

The battery voltage must remain on for a few seconds after the 15 voltage is switched off so that the control units can store the values and switch to standby mode.

10 prohibited engine shutdowns in a row will cause a torque reduction (70% of fuel quantity). Reset the engine by switching it off correctly once.

- 
1. Run the engine without a load for a few minutes if it has been run continuously with a heavy load.
  2. Switch off the engine.

## Checks after driving



### WARNING!

Secure the starting device or disconnect a battery cable before working on the engine. If the engine starts unexpectedly, there is a serious risk of injury.

There is always a risk of sustaining burns when an engine is hot. Particularly hot parts are branch pipes, turbochargers, oil sumps, and hot coolant and oil in pipes and hoses.



### IMPORTANT!

Check the coolant level following the first start. Top up with coolant as necessary.

- 
1. Check that the power supply has been cut.
  2. Top up the fuel tank. Make sure that the filler cap and the area round the filler opening are clean to avoid contamination of the fuel.
  3. If the engine is equipped with an SCR system: Top up the reductant tank. Make sure that the filler cap and the area round the filler opening are clean to avoid contamination of the reductant.
  4. If there is a risk of freezing, the cooling system must contain enough glycol. See the section [Risk of freezing](#).
  5. If the temperature is below 0°C (32°F): Prepare for the next start by connecting the engine heater (if fitted).

## Maintenance

The maintenance programme covers a number of points that are divided into the following sections:

- Lubrication system.
- Air cleaner.
- Cooling system.
- Fuel system.
- Miscellaneous.



### WARNING!

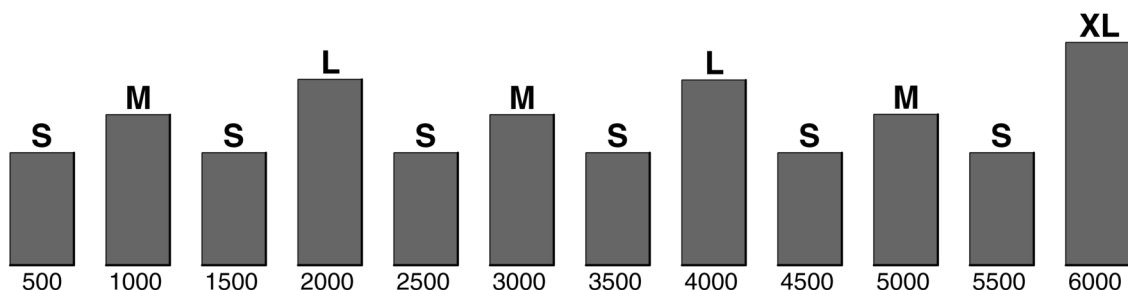
Secure the starting device or disconnect a battery cable before working on the engine. If the engine starts unexpectedly, there is a serious risk of injury.

There is always a risk of sustaining burns when an engine is hot. Particularly hot parts are branch pipes, turbochargers, oil sumps, and hot coolant and oil in pipes and hoses.

The maintenance programme includes the following:

- R maintenance: One event when taken into service.
- S maintenance: Minimum basic maintenance.
- M maintenance: More extensive maintenance.
- L maintenance: Includes nearly all maintenance items in the form.
- XL maintenance: Includes all maintenance items in the form.

During a period, the sequence is S-M-S-L-S-M-S-L-S-M-S-XL.



### IMPORTANT!

On delivery a Scania engine is optimised for its application. However, regular maintenance is necessary to

- prevent unplanned stops
- extend the service life of the engine
- maximise the long-term emission performance of the engine
- give the best possible operating economy.

## Maintenance interval

	Daily	First time at		Interval (hours)					Minimum	
		first start	500	500	1,000	2,000	6,000	annually	every 5 years	
			R	S	M	L	XL			
<b>Lubrication system</b>										
Checking the oil level	X	X								
Changing the oil			X	X	X	X	X	X		
Cleaning the centrifugal oil cleaner			X	X	X	X	X	X		
Renewing the oil filter			X	X	X	X	X	X		
<b>Air cleaner</b>										
Reading the vacuum indicator	X		X	X	X	X	X	X		
Renewing the filter element						X	X			X
Renewing the safety cartridge						X	X			X
Renewing an air filter with a non-renewable element						X	X			X
<b>Cooling system</b>										
Checking the coolant level	X	X	X	X	X	X	X	X		
Checking the coolant's antifreeze and corrosion protection		X				X	X	X		
Checking the sacrificial anodes			X	X	X	X	X	X		
Checking the sea water pump impeller			X	X	X	X	X	X		
Changing the coolant and cleaning the cooling system							X			X
<b>Fuel system</b>										
Checking the fuel level	X	X								
Draining the water separating prefilter	X		X	X	X	X	X	X		
Renewing the fuel filters					X	X	X			X
<b>Other</b>										
Checking the drive belt		X			X	X	X	X		
Checking for leakage	X		X	X	X	X	X			
Checking and adjusting the valve clearance and unit injectors			X			X	X			
Renewing the reductant filters			X	X	X	X	X	X		

## Lubrication system

### Oil grade

Scania LDF stands for the Scania Long Drain Field test standard. Scania LDF oils have been carefully selected after extensive testing. The approval is only granted to the highest grade engine oils available on the market.

Recommended engine oil
Scania Oil LDF-3
Scania Oil LDF-2
Scania Oil LDF
Scania Oil E7

The engine oil must satisfy the following quality requirements:

- ACEA E5/API CI-4.
- ACEA E7/API CI-4 +.
- For engines not run on low-sulphur fuel, the TBN (Total Base Number) should be at least 12 (ASTM D2896).
- Oils with a low ash content (ACEA E9/API CJ4) are not recommended.

Check with your oil supplier that the oil satisfies these requirements.

If the engine is used in areas of the world where engine oil with ACEA or API classification is not available, the oil grade must be measured in actual operation. In this case contact the nearest Scania workshop.

For operation at extremely low outdoor temperatures: Consult your nearest Scania workshop on how to avoid starting difficulties.

Viscosity class	Outdoor temperature in °C		
SAE 20W-30	-15°C	-	+30°C
SAE 30	-10°C	-	+30°C
SAE 40	-5°C	-	+45°C
SAE 50	0°C	-	+45°C
SAE 5W-30	< -40°C	-	+30°C
SAE 10W-30	-25°C	-	+30°C
SAE 15W-40	-20°C	-	+45°C

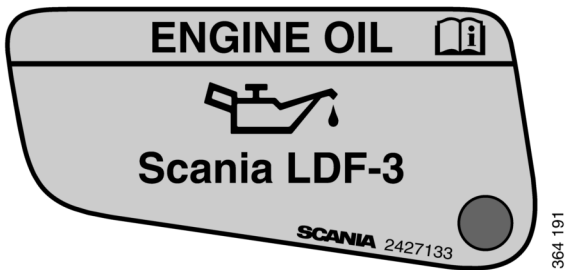
Viscosity class	Outdoor temperature in °F		
SAE 20W-30	5°F	-	86°F
SAE 30	14°F	-	86°F
SAE 40	23°F	-	113°F
SAE 50	32°F	-	113°F
SAE 5W-30	< -40°F	-	86°F
SAE 10W-30	-13°F	-	86°F
SAE 15W-40	-4°F	-	113°F

## Labels for filled engine oil grade

When changing oil it is important to use the correct engine oil grade. The oil filler should therefore be clearly marked with a label for the filled oil grade. However, there are only labels for oils with Scania LDF approval and oil grade ACEA E7.

Stick on a new label if the oil type or oil grade is changed in favour of any of the oil types above. Replace the label if it is missing.

If the oil grades below are used, you can order oil filler labels from Scania.



Oil grade	Colour	Part no.
Scania LDF-3	Red	2 427 133
ACEA E7	White	2 427 132

## Oil analysis

To be able to extend the oil change intervals using an oil analysis, Scania LDF-3 and LDF-2 oils must be used. Certain laboratories offer engine oil analysis.

The following requirements must remain satisfied when the oil is changed:

- Viscosity at 100°C (212°F): max.  $\pm 20\%$  of original value of the fresh oil.
- TBN (in accordance with ASTM D4739):  $> 3.5$ .
- TBN (in accordance with ASTM D4739):  $>$   
TAN (in accordance with ASTM D664).
- Soot (DIN 51452):  $< 3\%$ .
- Fuel in the oil:  $< 5\%$ .

Such analysis measures the oil's total base number, TBN (Total Base Number), total acidic number, TAN (Total Acid Number), fuel dilution, water content, viscosity and the quantity of particles and soot in the oil.

The result of a series of analyses is used as the basis for establishing a suitable oil change interval.

If the conditions are changed, a new oil analysis programme must be carried out to establish new oil change intervals. Work out the new oil change interval for the engine in conjunction with the workshop.



### **REQUIREMENT!**

Only Scania LDF oils may be used in conjunction with oil analysis and a possible extended oil change interval.

Depending on the market, the warranty conditions may also change if the oil change intervals differ from the recommended Scania timetable.

---



## Checking the oil level

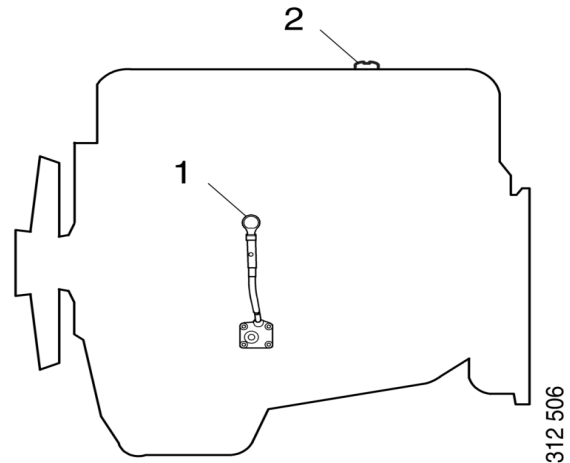
### Note:

Leave the engine off for at least 7 minutes before you check the oil level.

If the oil level exceeds the maximum level, the oil must be changed. Check the cause if the oil level exceeds the maximum level and contact your nearest Scania workshop if you suspect a fault.

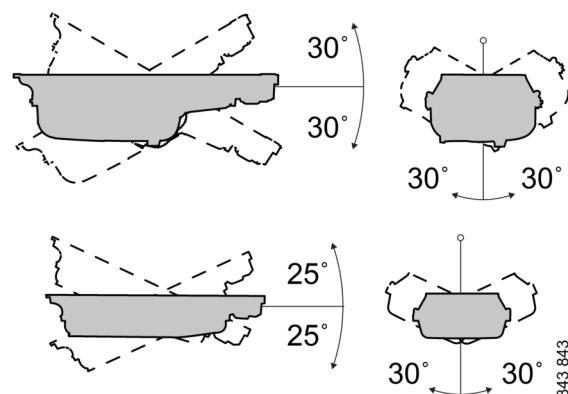
1. Pull out the oil dipstick (1) and check the oil level. The correct level is between the minimum and maximum marks on the oil dipstick.
2. Fill with more oil at point 2 in the illustration when the oil level is at or below the lower mark.

Information on the correct oil type is found under the heading [Oil grade](#).



## Maximum angles of inclination during operation

Maximum permissible angles of inclination during operation vary, depending on the type of oil sump. See illustration.



## Changing the oil



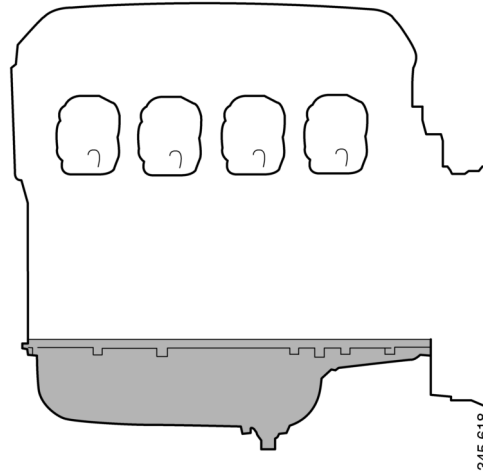
### WARNING!

Hot oil can cause burns and skin irritation. Wear protective gloves and eye protection when changing hot oil. Make sure that there is no pressure in the lubrication system before changing the oil. The oil filler cap must always be in place when starting and driving the engine to prevent oil being ejected.

### Note:

Change oil more often if the engine is subjected to particularly demanding operation, such as a dusty environment, or if deposits on the paper in the centrifugal oil cleaner are thicker than 28 mm (1.1 in).

Renew the oil filter and clean the centrifugal oil cleaner when changing oil.



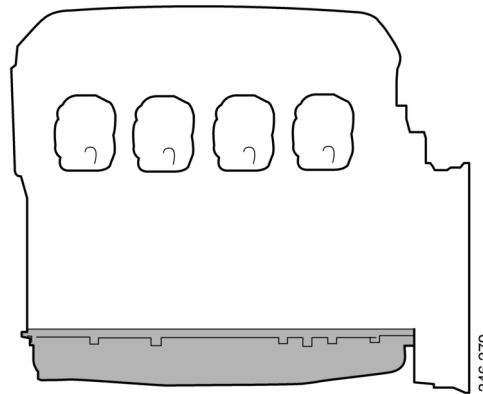
*Min. 40 litres (10.5 US gallons). Max. 48 litres (12.6 US gallons).*



### Environment

Use a suitable container. Used oil must be disposed of as specified in national and international laws and regulations.

1. Unscrew the oil plug and drain the oil when the engine is hot. In certain engine types the oil is pumped out by means of a bilge pump. If the engine is drained via the valve, the oil should be hot. Alternatively, use a pump. This is so that draining occurs more quickly.
2. Wipe off the magnet on the oil plug.
3. Renew the gasket on the oil plug.
4. Refit the oil plug.
5. Fill with the amount of oil specified for the oil sump.
6. Wait at least 7 minutes.
7. Check the level on the oil dipstick.



*Min. 29 litres (7.6 US gallons). Max. 37 litres (9.7 US gallons).*

## Cleaning the centrifugal oil cleaner



### WARNING!

The oil may be hot. Carefully remove the cover from the centrifugal oil cleaner.

Wear eye protection and protective gloves when working on the centrifugal oil cleaner.

---

When the centrifugal oil cleaner is cleaned, there should be some dirt deposits on the paper in the rotor cover. If the paper is clean, the equipment is not working as it should. If this is the case, investigate the cause of this.

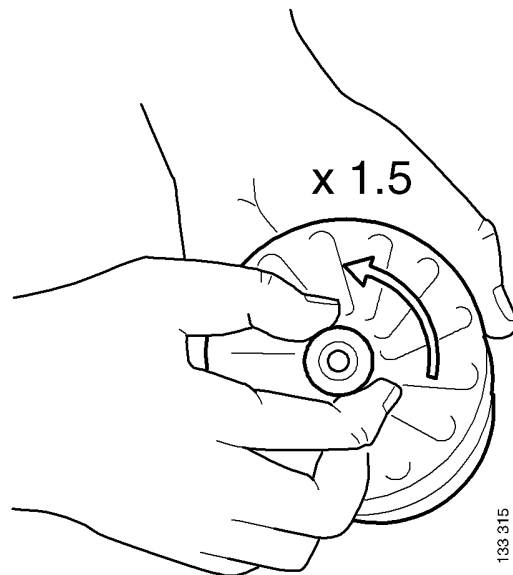
Renew the paper more frequently if the dirt deposits are thicker than 28 mm (1.1 inches) during a scheduled oil change.

1. Clean the cover.
2. Unscrew the nut securing the outer cover.
3. Let the oil run out from the rotor.
4. Lift out the rotor. Wipe off the outside.
5. Loosen the rotor nut and unscrew it about 1.5 turns.

### Note:

Take care not to damage the rotor shaft.

---

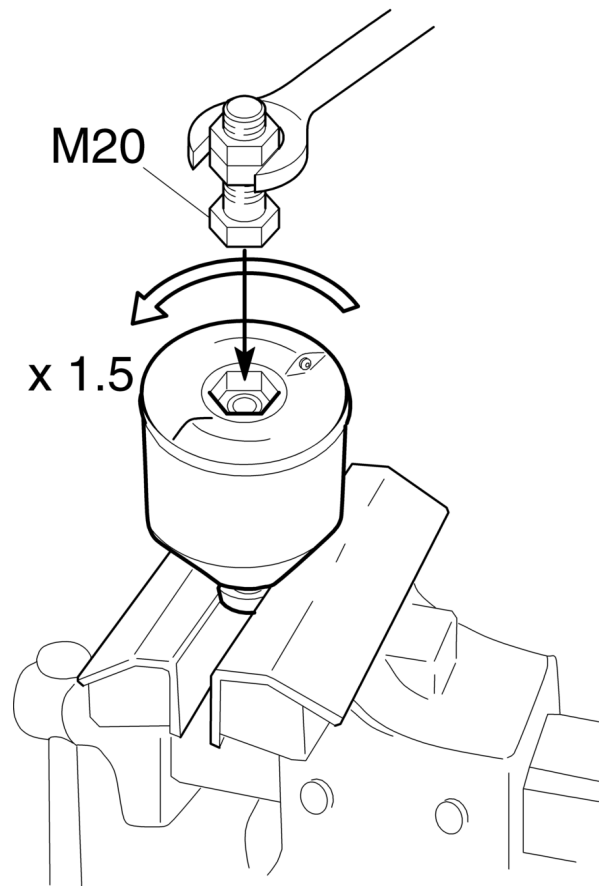


133 315

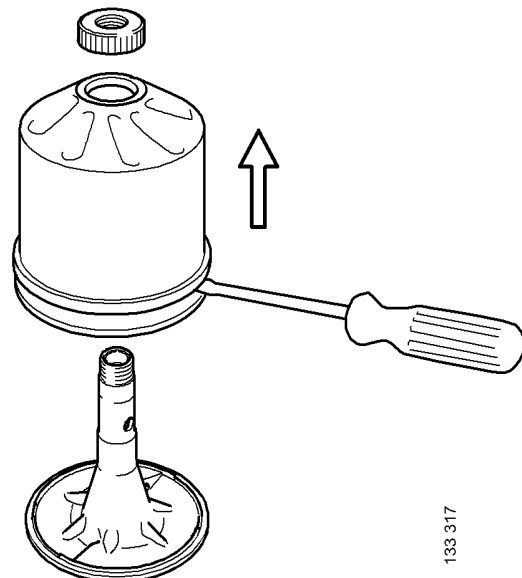
6. If the rotor nut is jammed: Turn the rotor upside down and fasten the rotor nut in a vice. See illustration.
7. Use protective jaws so as not to damage the grooves of the rotor nut.
8. Turn the rotor 1.5 turns anti-clockwise by hand.
9. If this does not work: Screw 2 nuts together with an M20 screw.
10. Position the screw head at the bottom of the rotor.
11. Position a ring spanner on the lower nut and turn the rotor 1.5 turns anti-clockwise.

**! IMPORTANT!**

Do not attach the rotor directly to the vice. Never strike the rotor cover.

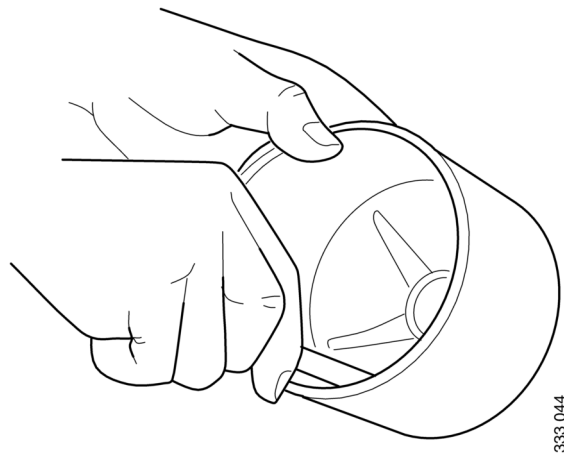


12. Remove the rotor cover by holding the rotor in both hands and tapping the rotor nut against the table. Never strike the rotor directly as this may damage its bearings.
13. Remove the strainer from the rotor cover. If the strainer is stuck, insert a screwdriver between the rotor cover and strainer and carefully prise them apart.



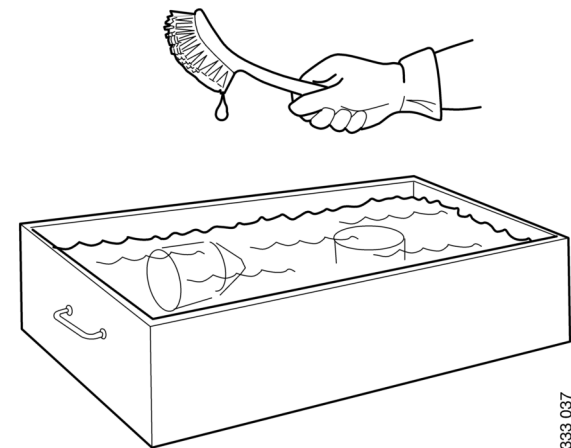
133 317

14. Remove the paper insert.
15. Scrape off any remaining dirt deposits from the inside of the rotor cover. If the deposits on the paper are thicker than 28 mm (1.1 in), the centrifugal oil cleaner must be cleaned more often.



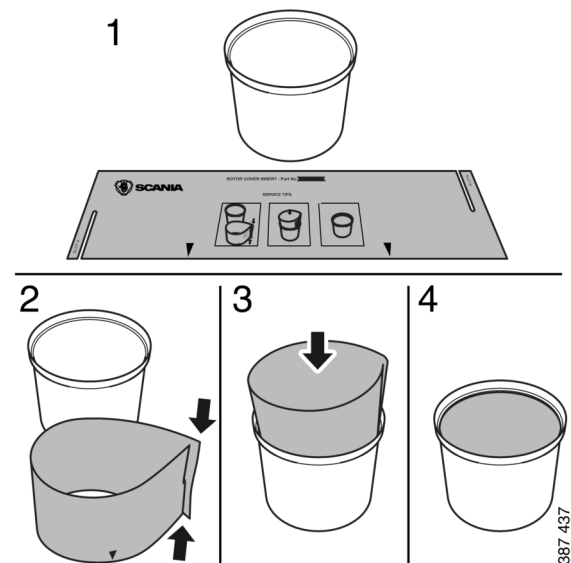
333 044

16. Wash the parts according to the applicable industrial method.
17. Check the 2 nozzles on the rotor. Ensure that they are not blocked or damaged.  
Renew any damaged nozzles.
18. Check that the bearings are undamaged.  
Renew damaged bearings.



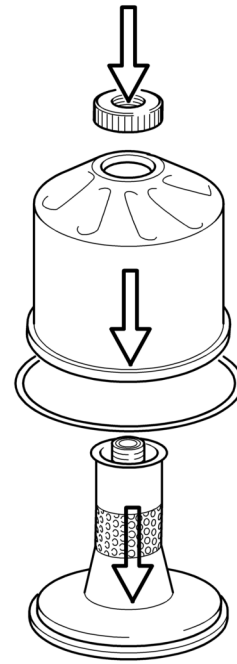
333 037

19. Fold and fit a new paper insert on the inside of the rotor cover as illustrated.



387 437

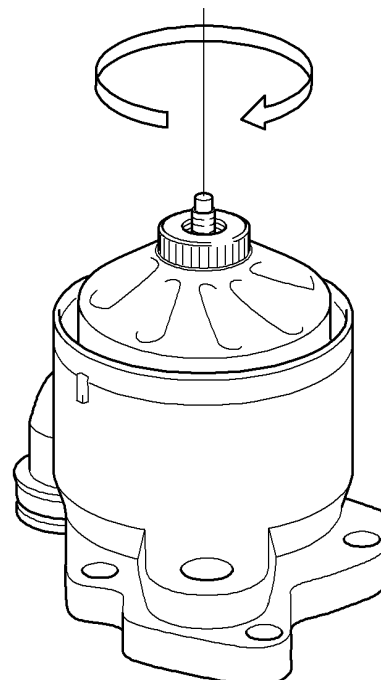
20. Fit the strainer onto the rotor.
21. Fit a new O-ring to the foot of the centrifugal oil cleaner.
22. Refit the rotor cover. Ensure that the O-ring is not outside the edges, but is in the groove.
23. Screw the rotor nut back on by hand.
24. Check that the shaft is not damaged or loose.  
Contact a Scania workshop if the rotor shaft needs renewing.



**Note:**

Take care not to damage the rotor shaft.

25. Refit the rotor and rotate it by hand to make sure it rotates easily.

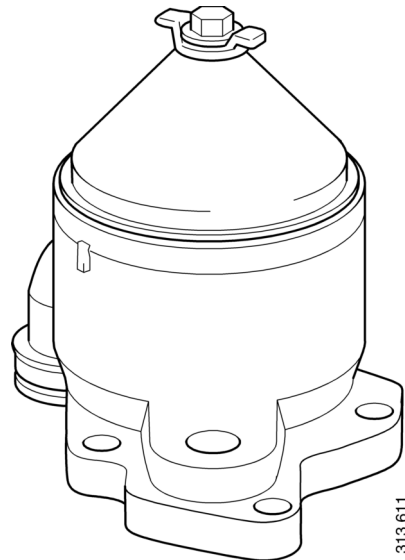


313 612

26. Fit a new O-ring in the cover.
27. Refit the cover and tighten the lock nut.  
Tightening torque 20 Nm (15 lb-ft).

**!** **IMPORTANT!**

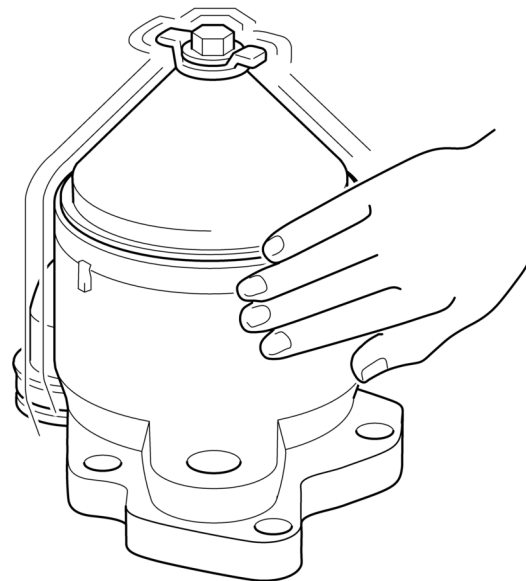
To reduce the risk of oil leakage it is important to tighten the cover to the correct tightening torque.



## Operational testing of the centrifugal oil cleaner


Operational testing need only be carried out if it is suspected that the centrifugal oil cleaner is malfunctioning. For example, if there are unusually few deposits given the distance driven.

1. Run the engine until it reaches normal operating temperature.
2. Turn off the engine and listen for the sound from the rotor. It should continue rotating for a time, even when the engine has stopped.
3. Use your hand to feel if the filter housing is vibrating.
4. If the filter housing is not vibrating, dismantle and check the centrifugal oil cleaner.



## Renewing the oil filter

### Tool

Designation	Figure
Hexagon socket, 1/2", 36 mm	



### IMPORTANT!

Clean the centrifugal oil cleaner at the same time as you change the oil filter. Otherwise, the oil filter will become blocked and the resistance in the filter will increase. If this happens, an overflow valve in the filter retainer opens and lets the oil pass without being filtered.

The engine must not be run without a filter element in the oil filter. There is a risk of engine damage caused by particles and by the oil pressure being too low.

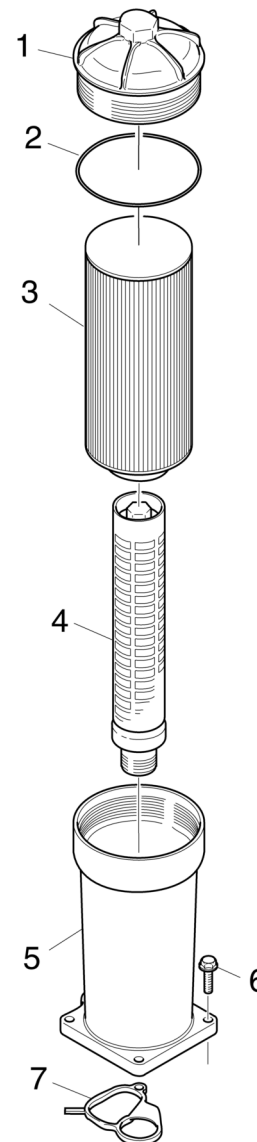
1. Unscrew the filter cover using the socket.



### IMPORTANT!

Do not use an adjustable spanner or other open tool, as there is a risk of damaging the filter cover.

2. Lift out the filter housing cover with filter element. The filter housing will drain automatically once the filter has been removed.
3. Undo the old filter from the cover by carefully bending it to one side.
4. Fit a new O-ring on the cover. Lubricate the O-ring with engine oil.
5. Press a new filter into the snap fastener in the cover and tighten the filter cover to 25 Nm (18 lb/ft).
6. Make sure the oil filter drain has emptied the oil from the filter housing. Screw on the filter cover firmly with the socket.
7. Start the engine and inspect the filter housing for leaks.



1. Cover.
2. O-ring.
3. Filter element.
4. Pipe.
5. Filter housing.
6. Flange screw.
7. Gasket.

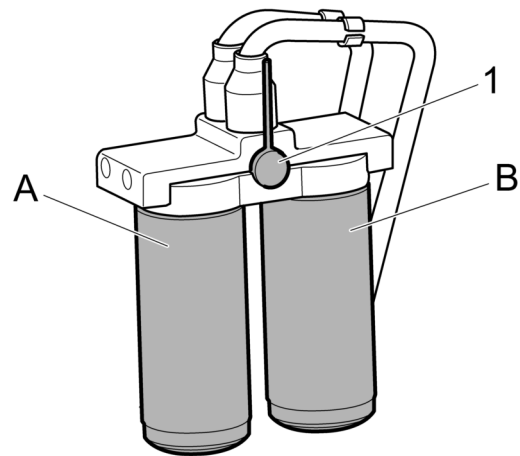
381 921



## Renewing the reversible oil filter

While driving, the rotary control (1) should point upwards to minimise pressure losses in the filter unit; see right-hand illustration.

1. Turn the rotary control 90° to the right so that it points towards filter B. The oil then flows through the filter.
2. Clean filter A with a cleaning cloth.
3. Unscrew filter A.
4. Apply oil to the gasket on the new filter.
5. Fill the filter with engine oil.
6. Screw filter A into place by hand until it makes contact.
7. Turn screw a further half turn by hand.
8. Turn the rotary control 90° to the left so that the rotary control points towards filter A. Then renew filter B in the same way as filter A.



346 953

## Air cleaner



### WARNING!

Never start the engine without the air filter in position. Without the air filter, there is a risk of dirt being sucked into the engine.

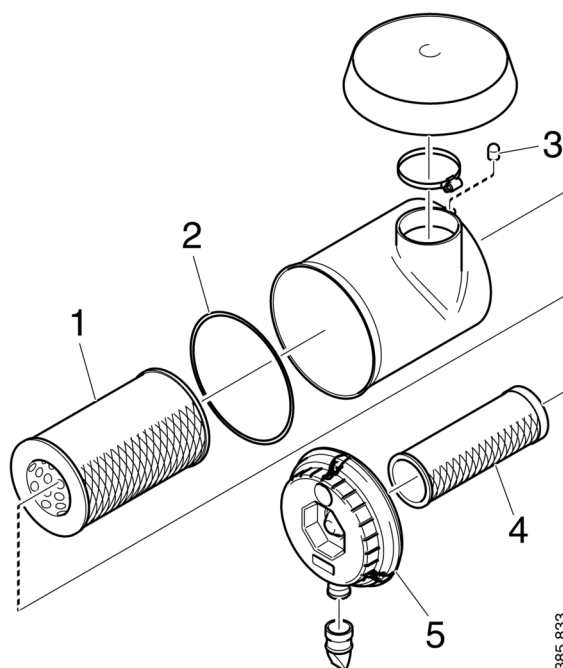
The engine turbocharger will continue to rotate and take in air for a time, even after the engine has stopped. Therefore, wait for a few minutes before opening the air cleaner.



### IMPORTANT!

Renew the filter element earlier than the maintenance interval if the vacuum indicator shows red.

The filter element must not be cleaned in water or be blown clean with compressed air. There is always a risk that the filter element will be damaged when it is cleaned.



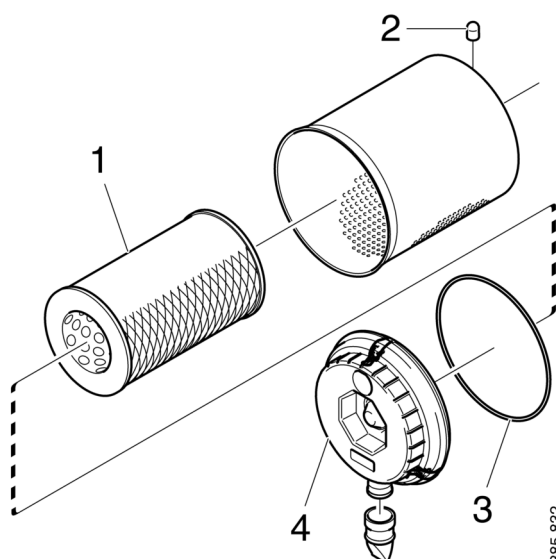
*Air cleaner with safety cartridge*

1. Filter element.
2. O-ring.
3. Vacuum indicator.
4. Safety cartridge.
5. Cover

385 833

## Reading the vacuum indicator

If the vacuum indicator's red plunger is fully visible, renew the air cleaner filter element in accordance with the following section.



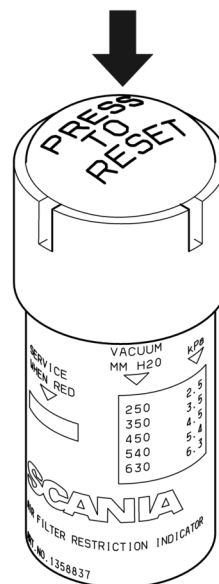
*Air cleaner without safety cartridge.*

1. Filter element.
2. Vacuum indicator.
3. O-ring.
4. Cover.

385 832

## Renewing the air cleaner filter element and safety cartridge

1. Remove the cover from the air cleaner.
2. Renew the filter element.
3. If the air cleaner has a safety cartridge: Remove the safety cartridge and fit a new one.
4. Insert a torch into the filter element and check that the filter paper is free of holes and cracks.
5. Renew the O-ring if it is damaged or hard.
6. Assemble the air cleaner.
7. Ensure that the O-ring is not outside the edges.
8. Reset the vacuum indicator by pressing in the button marked in the illustration.



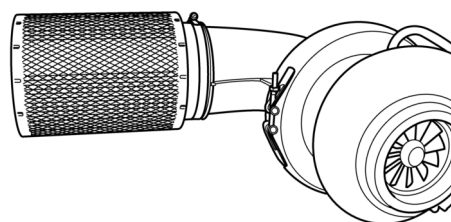
326 671

## Renewing an air filter with a non-renewable element



### IMPORTANT!

If the engine has an air filter with a non-renewable Scania element, it should be renewed instead of cleaned.



325 166

*Air filter with a non-renewable element.*

## Cooling system

### Coolant

Only Scania coolant or another product with functioning antifreeze and corrosion protection may be used in Scania engines.

Products not fulfilling the demands in this section may lead to faults and damage occurring in the cooling system. This can lead to the invalidation of Scania's warranty for faults and damage caused by the use of inappropriate coolant.

#### Note:

The coolant should be changed when the cooling system is cleaned: every 6,000 hours or at least every 5 years. See [Changing the coolant and cleaning the cooling system](#).

---

The coolant recommended by Scania is a mixture of water with antifreeze (ethylene glycol) and corrosion protection. The coolant has several properties which are important for the function of the cooling system:

- Corrosion protection.
- Antifreeze.
- Increases the boiling point.

### Water

Use only pure fresh water that is free from particles, sludge and other impurities. If there is uncertainty about the quality of the water, Scania recommends use of Scania ready-mixed coolants. See the section [Recommended Scania products](#).

### Antifreeze and corrosion protection

The antifreeze and corrosion protection used in Scania engines should be antifreeze (ethylene glycol) and corrosion protection.

### Addition of antifreeze and corrosion protection to water

The coolant should contain 35-55% by volume antifreeze (ethylene glycol) and corrosion protection. The percentage varies depending on the need for antifreeze.

A minimum of 35% by volume of Scania antifreeze and corrosion protection is needed to provide sufficient corrosion protection.

#### Note:

Too high a dose of antifreeze and corrosion protection will increase the amount of sludge and blockages accumulating in the radiator. Too low a concentration can lead to corrosion of the cooling system and ice formation at low temperatures.

---

Measure the ethylene glycol content (antifreeze and corrosion protection) with a refractometer following the instructions in the [Checking the coolant's antifreeze and corrosion protection](#) section.

## Risk of freezing



### IMPORTANT!

The engine should not be subjected to heavy loads when ice starts to build up in the cooling system.

As the coolant starts to freeze, the water in the coolant starts to crystallise and the percentage of ethylene glycol in the coolant therefore rises. If freezing produces a great increase in the amount of ice, circulation problems could arise. There is no risk of damage by freezing if the content of Scania antifreeze and corrosion protection, or an equivalent mixture of a similar product, is at least 35% by volume.

Minimal ice formation in the coolant sometimes causes disruptions without any risk of damage. For example, the auxiliary heater may not work for up to 1 hour after the engine has been started.

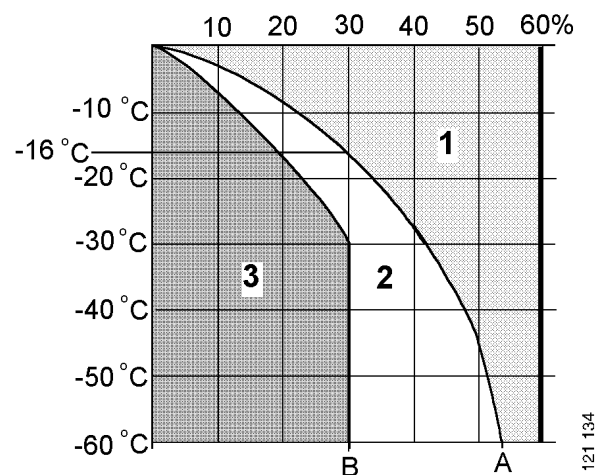
The chart depicts coolant properties at different percentages of antifreeze and corrosion protection concentration by volume.

- Curve A: Ice formation starts (ice slush)
- Curve B: Damage by freezing
- Zone 1: Safe zone
- Zone 2: Disruptions may occur (ice slush)
- Zone 3: Risk of damage by freezing

The following example shows coolant properties with 30% by volume of antifreeze and corrosion protection:

- Ice slush starts to form at  $-16^{\circ}\text{C}$  ( $3^{\circ}\text{F}$ ).
- At  $-30^{\circ}\text{C}$  ( $-22^{\circ}\text{F}$ ), there is a risk of disruptions in the cooling system.
- There is no risk of damage by freezing with a minimum antifreeze and corrosion protection content of 35% by volume.

An example: If the temperature is  $-16^{\circ}\text{C}$  ( $3^{\circ}\text{F}$ ), there is a risk of damage by freezing if the percentage of antifreeze and corrosion inhibitor is 20% by volume. At 30% antifreeze and corrosion protection by volume the coolant will not contain any ice.



121 134

## Hot climates

In order to retain the corrosion protection and the higher boiling point, it is essential to use coolant consisting of water mixed with antifreeze and corrosion protection (ethylene glycol). This also applies in countries where the temperature never drops below 0°C (32°C).

The coolant should always contain 35-55% antifreeze and corrosion protection by volume so that the coolant properties ensure that the coolant works correctly.

## Topping up

Coolant must only be topped up with pre-mixed coolant. The pre-mixed coolant can either be concentrate mixed with clean freshwater or pre-mixed coolant from the factory. Use only pure fresh water that is free from particles, sludge and other impurities.



### IMPORTANT!

Containers used for mixing coolant must be intended for the purpose and free from any dirt or contaminants. When the containers not in use they must be kept closed to avoid collecting dirt and dust.

### Note:

Within the coolant change interval, coolant may only be reused if it has been cleaned of dirt, sludge and particles. If the coolant is contaminated with oil or fuel, it must not be reused.

## Recommended Scania products

### Scania Ready Mix 50/50

Scania Ready Mix 50/50 is a ready-mixed coolant containing 50% antifreeze (ethylene glycol) and corrosion protection and 50% water. It should be used in cold countries where there is a risk of freezing in the cooling system.

Part no.	Volume litres	Volume US gallons
1 921 955	5	1.3
1 921 956	20	5.3
1 921 957	210	55
1 896 695	1,000	264

### Scania concentrate

Scania also produces coolant with antifreeze and corrosion protection in the form of a concentrate.

Part no.	Volume litres	Volume US gallons
1 894 323	5	1.3
1 894 324	20	5.3
1 894 325	210	55
18 94 326	1,000	264

## Antifreeze and corrosion protection concentration table, litres

35% by volume of Scania antifreeze provides sufficient corrosion protection.

### Example:

- The total volume of the cooling system is 40 litres.
- The measured concentration of ethylene glycol is 35% by volume (freezing point  $-21^{\circ}\text{C}$ ). According to the table there are 14 litres of ethylene glycol in the cooling system.
- The required concentration of ethylene glycol is 45 per cent by volume (freezing point  $-30^{\circ}\text{C}$ ). According to the table, 18 litres of ethylene glycol are required in the cooling system.
- Since there are already 14 litres in the cooling system, 4 litres of ethylene glycol must be added to the cooling system ( $18 - 14 = 4$  litres).

	Adequate corrosion protection					Cooling system volume (litres)
Volume of ethylene glycol (%)	35	40	45	50	60	
Ice slush forms ( $^{\circ}\text{C}$ )	-21	-24	-30	-38	-50	
Volume of ethylene glycol (litres)	11	12	14	15	18	30
	14	16	18	20	24	40
	18	20	23	25	30	50
	21	24	27	30	36	60
	25	28	32	35	42	70
	28	32	36	40	48	80
	32	36	41	45	54	90
	35	40	45	50	60	100
	39	44	50	55	66	110
	42	48	54	60	72	120
	46	52	59	65	78	130
	49	56	63	70	84	140
	53	60	68	75	90	150
	56	64	72	80	96	160
	60	68	77	85	102	170
	63	72	81	90	108	180
67	76	86	95	114	190	
70	80	90	100	120	200	

## Antifreeze and corrosion protection concentration table, US gallons

35% by volume of antifreeze provides sufficient corrosion protection.

### Example:

- The total volume of the cooling system is 10.6 US gallons.
- The measured concentration of ethylene glycol is 35% by volume (freezing point  $-6^{\circ}\text{F}$ ). According to the table there are 3.7 US gallons of ethylene glycol in the cooling system.
- The required concentration of ethylene glycol is 45 per cent by volume (freezing point  $-22^{\circ}\text{F}$ ). According to the table, 4.8 US gallons of ethylene glycol are required in the cooling system.
- Since the cooling system already contains 3.7 US gallons, fill another 1.1 US gallons of ethylene glycol in the cooling system ( $4.8 - 3.7 = 1.1$  US gallons).

	Adequate corrosion protection					
Volume of ethylene glycol (%)	35	40	45	50	60	Cooling system volume
Ice slush forms ( $^{\circ}\text{F}$ )	-6	-11	-22	-36	-58	(US gallons)
Volume of ethylene glycol (US gallons)	2.9	3.2	3.7	4	4.8	7.9
	3.7	4.2	4.8	5.3	6.3	10.6
	4.8	5.3	6.1	6.6	7.9	13.2
	5.5	6.3	7.1	7.9	9.5	15.9
	6.6	7.4	8.5	9.2	11.1	18.5
	7.4	8.5	9.5	10.6	12.7	21.1
	8.5	9.5	10.8	11.9	14.3	23.8
	9.2	10.6	11.9	13.2	15.9	26.4
	10.3	11.6	13.2	14.5	17.4	29.1
	11.1	12.7	14.3	15.9	19	31.7
	12.2	13.7	15.6	17.2	20.6	34.3
	12.9	14.8	16.6	18.5	22.2	37
	14	15.9	18	19.8	23.8	39.6
	14.8	16.9	19	21.1	25.4	42.3
	15.9	18	20.3	22.5	26.9	44.9
	16.6	19	21.4	23.8	28.5	47.6
17.7	20.1	22.7	25.1	30.1	50.2	
18.5	21.1	23.8	26.4	31.7	52.8	



## Checking the coolant level



### WARNING!

Do not open the coolant filler cap in the expansion tank if the engine is hot. Hot coolant and steam may spray out and cause burns. If the cap has to be opened do it slowly to release the pressure before removing the cap.

Use protective gloves as coolant can cause irritation if it comes in contact with the skin.

---



### IMPORTANT!

It is not permissible to top up large amounts of coolant via the expansion tank. Filling via the expansion tank leads to air locks in the cooling system which can lead to e.g. cavitation damage to the coolant pump shaft seal. If a large amount of coolant needs to be added, follow the instructions in the section [Filling coolant](#).

Only pour pre-mixed coolant into the cooling system.

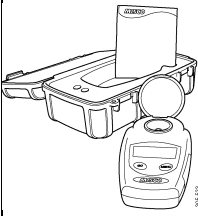
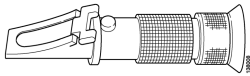
---

The following instructions apply to Scania expansion tanks. For other types of expansion tanks, follow the manufacturer's instructions.

1. Check the coolant level through the sight glass on the expansion tank.
2. Top up with coolant as necessary.

## Checking the coolant's anti-freeze and corrosion protection

### Tool

Designation	Illustration
Refractometer	
	



### WARNING!

Avoid skin contact with coolant as this may cause irritation to the skin. Wear eye protection and gloves when handling coolant.



### IMPORTANT!

Use only pure fresh water that is free from particles, sludge and other impurities.

1. Pour a small amount of coolant into a container and check that the coolant is pure and clear.
2. Change the coolant if it is contaminated or cloudy.
3. Measure the antifreeze and corrosion protection content with the refractometer.

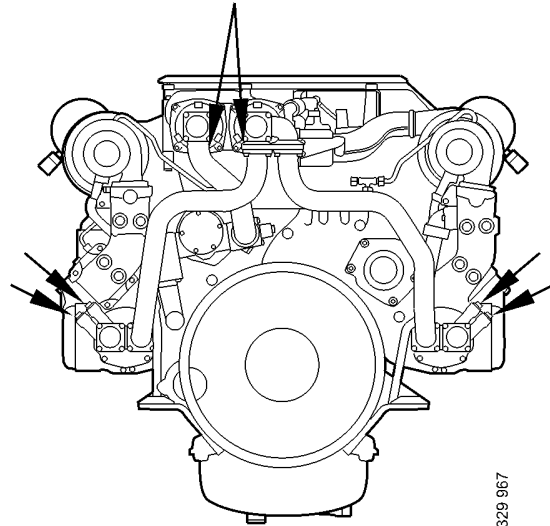
The following rules apply to ethylene glycol-based coolant:

- The antifreeze and corrosion protection content must be a minimum of 35 per cent by volume for corrosion protection to be sufficient.
- An antifreeze and corrosion protection content greater than 55 percent by volume impairs the ability to protect against frost.
- If ice forms in the coolant, there are disruptions initially, but there is no immediate risk of damage. The engine should not be subjected to heavy loads when ice starts to form.

## Checking the sacrificial anodes

### ! IMPORTANT!

Corrosion of sacrificial anodes depends on the operating environment. Therefore, check the sacrificial anodes every third month during the first year of commissioning or when changing the operating environment.



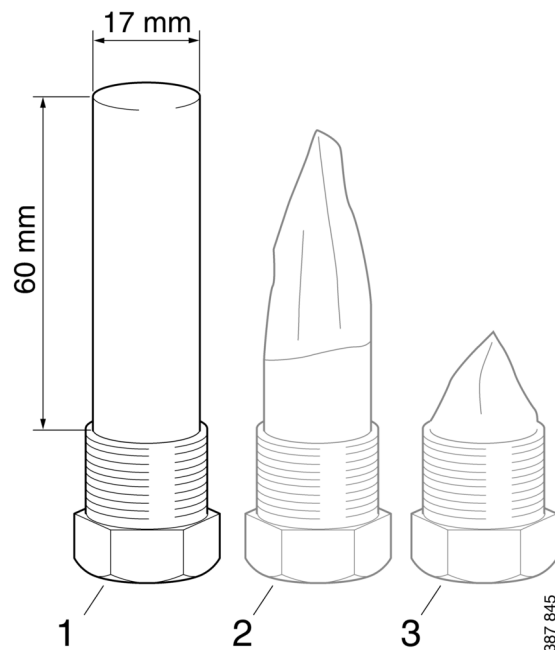
Position of sacrificial anodes.

1. Drain the sea water circuit as described in the [Draining the sea water circuit](#) section.
2. Remove all sacrificial anodes.

### 3. Check all sacrificial anodes:

- Scrape off all loose material and check the corrosion.
- Renew all sacrificial anodes if there is less than  $\frac{3}{4}$  (2) remaining of any of the sacrificial anodes.
- If the sacrificial anodes are very corroded (3), the length of the intervals for checking the sacrificial anodes should be halved. If the sacrificial anodes are very corroded, they often come loose entirely.

4. Renew the gasket when fitting.



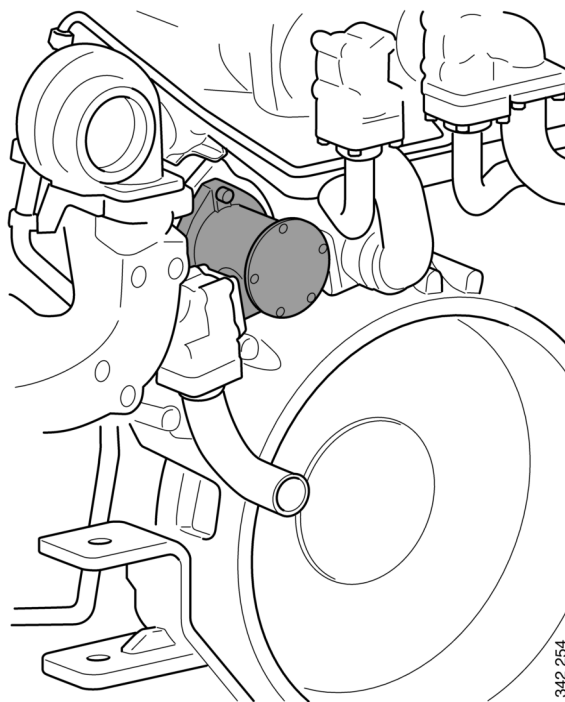
1. New sacrificial anode.

2. Approx.  $\frac{3}{4}$  remains.

3. Approx.  $\frac{1}{4}$  remains

## Checking the sea water pump impeller

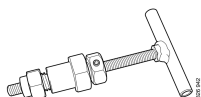
1. Drain the sea water circuit as described in the [Draining the sea water circuit](#) section.
2. Remove the sea water pump cover. See illustration.
3. Check that the vanes of the impeller are not heavily splintered or damaged.



342 254

## Renewing the sea water pump impeller

### Special tools

Number	Designation	Illustration
98,482	Puller	

### Note:

If the impeller must be renewed frequently, the cleaning of the sea water needs to be improved.

There should be a spare impeller and puller on board.

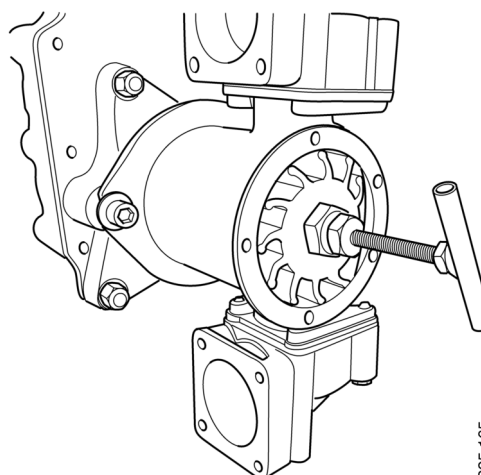
The impeller can be deformed during extended periods of inactivity. Renew the impeller before starting or remove the impeller before longer periods of stoppage.

1. Pull out the impeller using the puller. Note the direction of rotation of the impeller vanes.
2. Fit a new impeller and cap. Check that the cap seal is not hard or damaged.



### IMPORTANT!

When fitting the new impeller, bend the vanes in the same direction as on the old one.

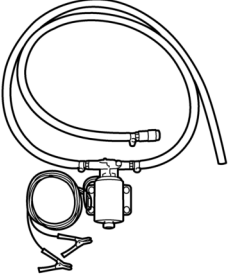


325 165

# Changing the coolant and cleaning the cooling system

## Draining coolant

### Special tools

Number, designation	Illustration
2 443 679, coolant pump	 360 625



### WARNING!

Do not open the coolant filler cap in the expansion tank if the engine is hot. Hot coolant and steam may spray out and cause burns. If the cap has to be opened do it slowly to release the pressure before removing the cap.

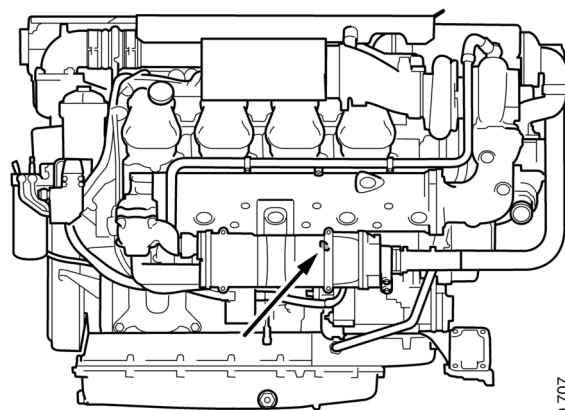
Use protective gloves as coolant can cause irritation if it comes in contact with the skin.



### Environment

Use a suitable container. Used coolant must be disposed of as specified in national and international laws and regulations.

1. Open the expansion tank cap.
2. Place the hose from the coolant pump in an empty container.
3. Connect the pump to the draining nipple in the cylinder block. See illustration.
4. Connect the pump's 2 cable terminals to the battery's negative and positive terminal. Make sure that the drainage starts. If the drainage does not start: Change the position of the cable terminals.
5. Repeat the procedure at the cooling system's lowest drainage point. The location of the lowest drainage point on the engine may differ depending on engine application.

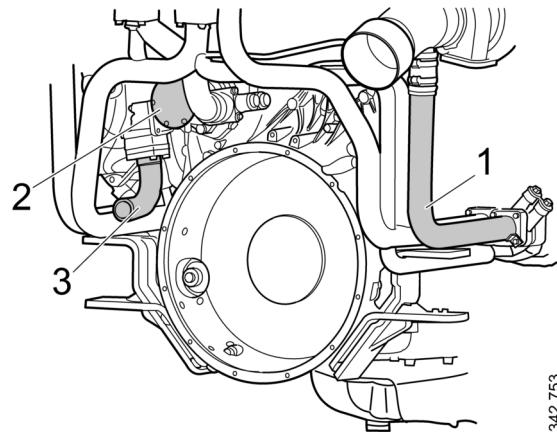


*Drain nipple in the cylinder block (behind the heat exchanger).*

## Draining the sea water circuit

1. Close the bottom valve on the sea water inlet and remove the connection pipe (1) on the outlet from the heat exchanger.
2. Remove the cover (2) from the sea water pump to empty the pump completely.

The lowest point in the sea water circuit may be at different points, but it is usually in the sea water pump intake (3).



342 753



### IMPORTANT!

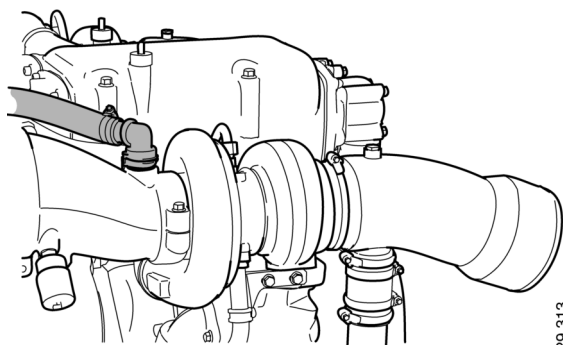
Plug the connections to prevent dirt ingress into the engine.

## Removing the charge air cooler

When the cooler core of the charge air cooler needs cleaning, the charge air cooler must be removed if there is no space behind it to take out the cooler core.

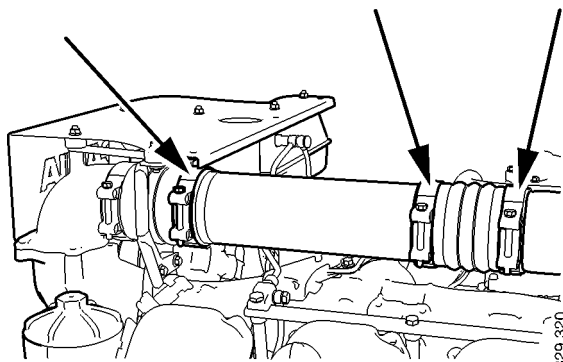
1. Make sure that the cooling system is empty as described earlier.
2. Unscrew and remove the catwalk, protective plate and the protective casing.

3. On the left-hand turbocharger, remove the hose between the oil mist separator and the air filter flange. Use a screwdriver to pull out the lock.



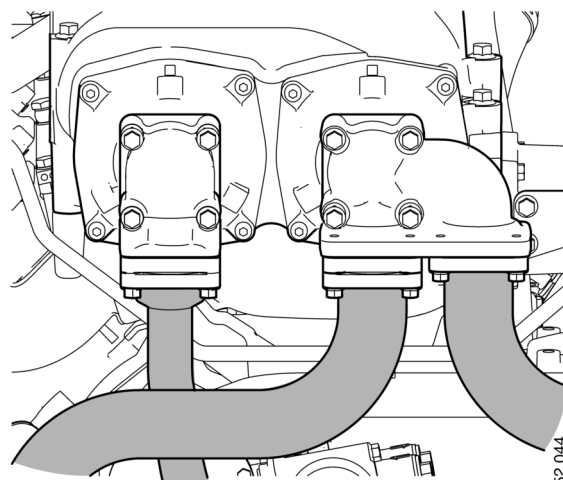
329 313

4. Loosen and remove the hose clamps for the charge air pipe.



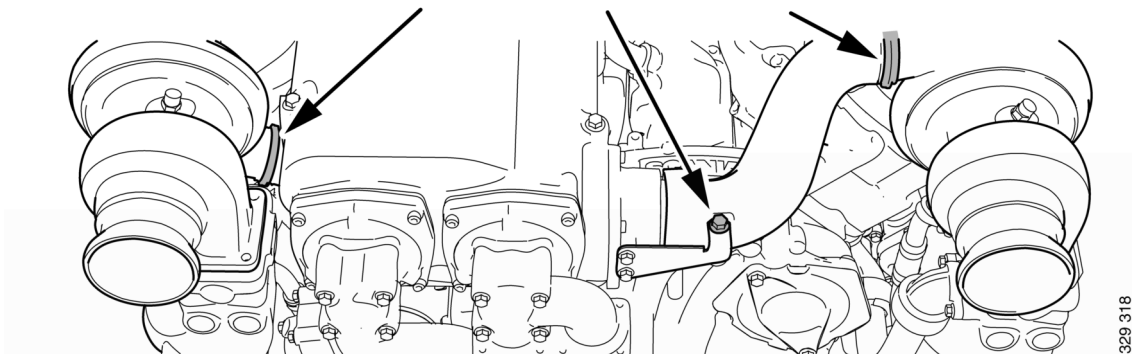
329 320

5. Remove all sea water pipes to and from the charge air cooler.

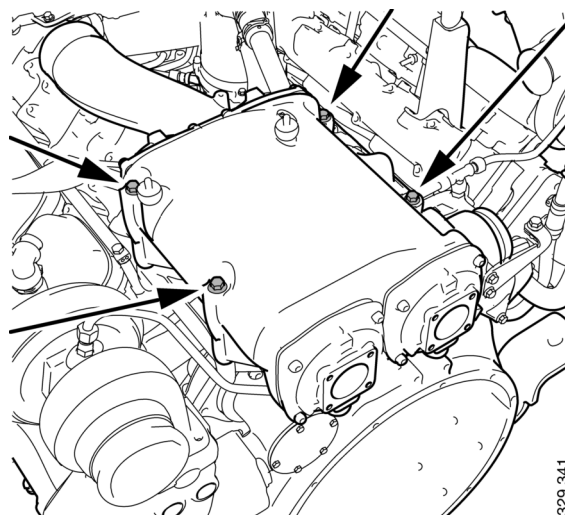


352 044

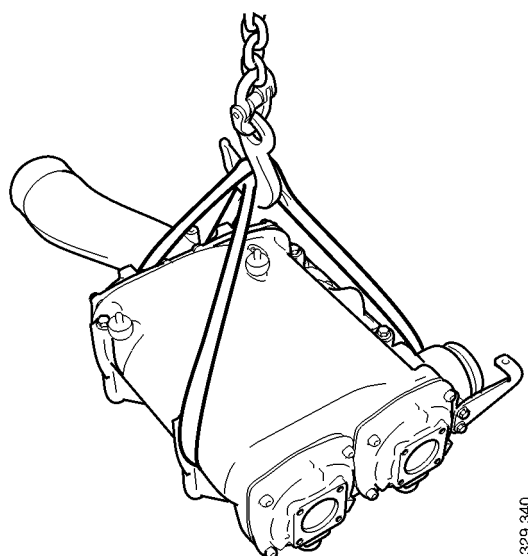
6. Right-hand turbocharger: Remove the V-clamp and the screw for the bracket. Remove the charge air pipe.
7. Left-hand turbocharger: Remove the V-clamp and carefully turn the charge air pipe during removal.



8. Remove the screws securing the charge air cooler.



9. Lift out the charge air cooler.





## Cleaning the charge air cooler

The charge air cooler must be removed if there is no space behind it to take out the cooler core. See previous section.

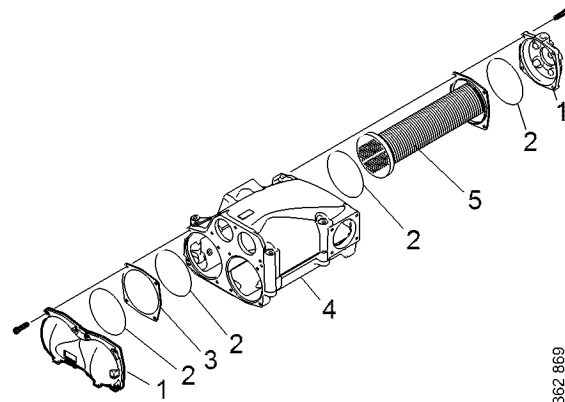
1. Remove the screws on the charge air cooler covers (1) and remove the covers. Mark the covers so that you can put them back on the correct side.
2. Press in the cooler core (5) slightly on one side and pull it out from the other side.
3. Clean the cooler core on the outside with a slightly acidic detergent, e.g. 2 479 017. Renew the cooler core if it is damaged.



### IMPORTANT!

Do not use caustic soda as this could damage the aluminium.

4. Remove any internal deposits in the charge air cooler housing using a round rod.
5. Renew the O-rings (2) and assemble the charge air cooler.
6. Tighten the M8 screws on the covers to 15 Nm (11 lb-ft).



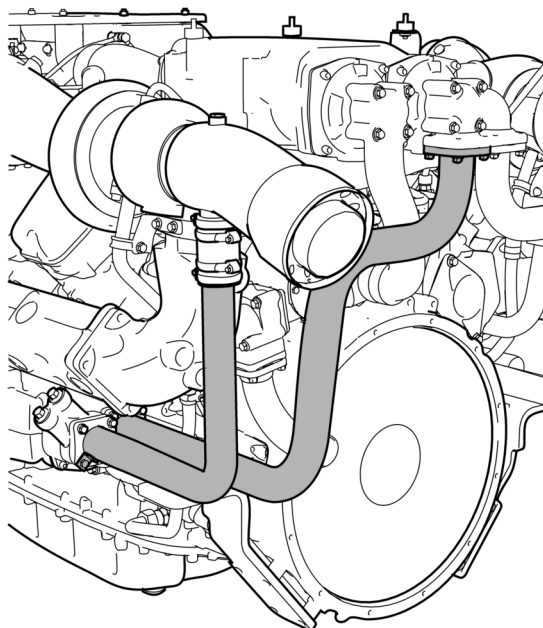
362 869

1. Cover.
2. O-rings.
3. Spacer.
4. Charge air cooler housing.
5. Cooler core.

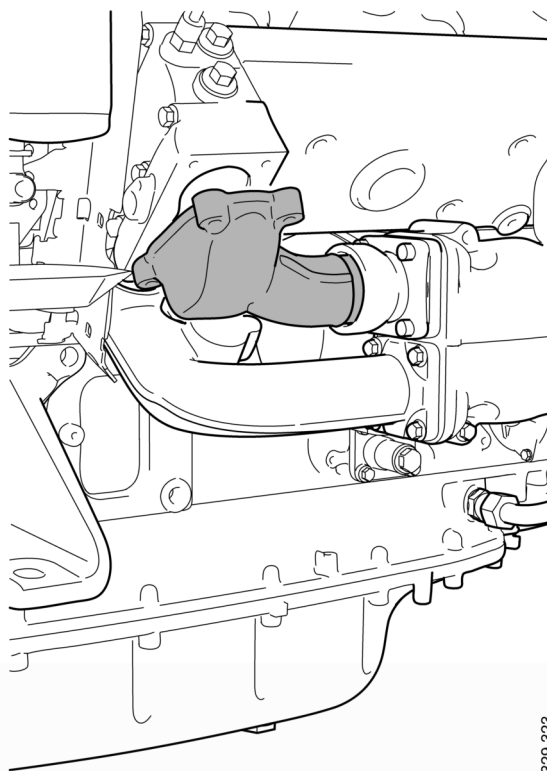
## Removing the heat exchanger

When the cooler core of the heat exchanger needs cleaning, the heat exchanger must be removed.

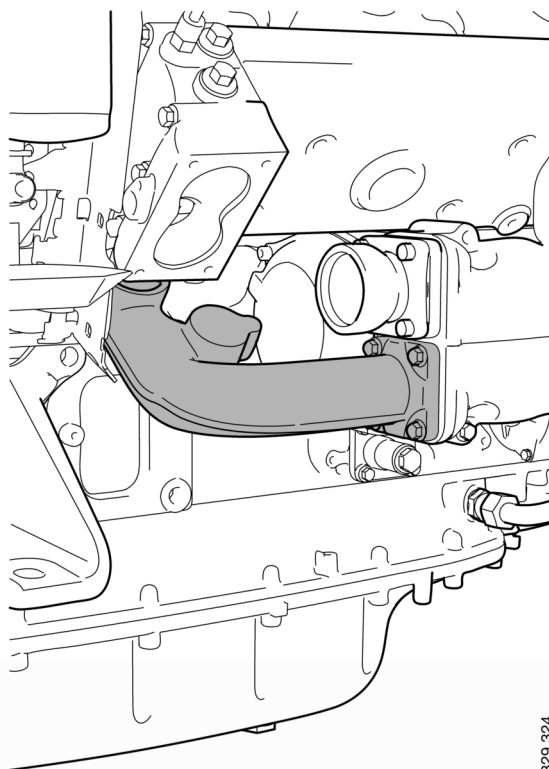
1. Make sure that the cooling system is empty as described earlier.
2. Remove the sea water pipe between the charge air cooler and heat exchanger.
3. If the engine has a water-cooled exhaust pipe bend: Remove the sea water pipe between the heat exchanger and the exhaust pipe bend.



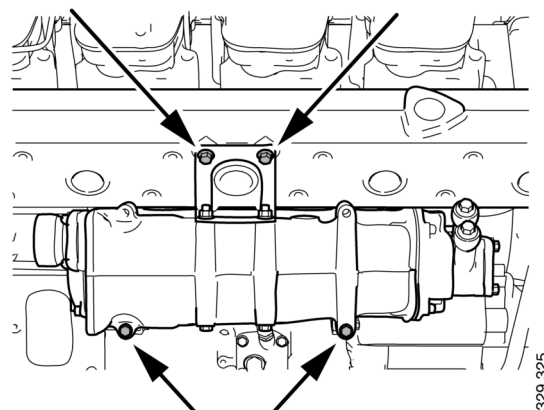
4. Remove the coolant pipe with the thermostat housing cover.



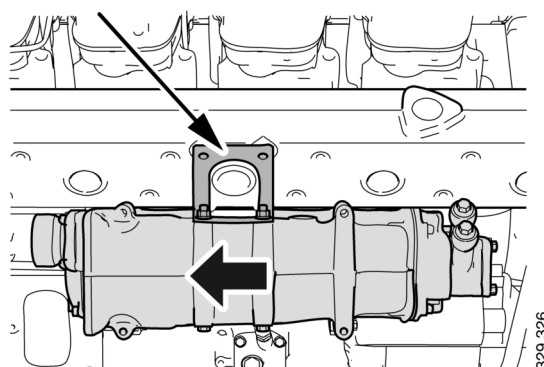
5. Remove the coolant pipe from the heat exchanger.



6. Remove the screws on the heat exchanger and the 2 upper screws on the exhaust manifold bracket.



7. Remove the heat exchanger by holding it in the bracket, moving the heat exchanger slightly to the side and removing it.



## Cleaning the heat exchanger

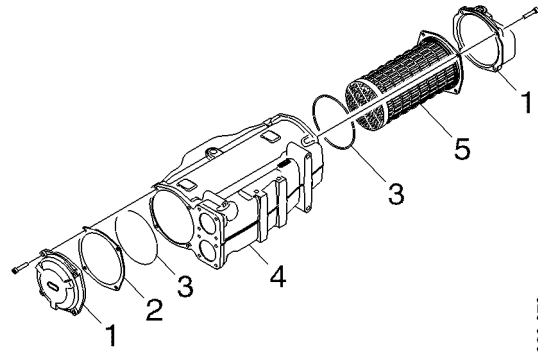
1. Remove the screws on the heat exchanger covers (1) and remove the covers. Mark the covers so that you can put them back on the correct side.
2. Press in the cooler core (5) slightly on one side and pull it out from the other side.
3. Clean the cooler core on the outside with a slightly acidic detergent, e.g. 2 479 017. Remove any internal deposits using a round rod. Renew the cooler core if it is damaged.



### IMPORTANT!

Do not use caustic soda as this could damage the aluminium.

4. Renew the O-rings (3) and assemble the heat exchanger.
5. Tighten the M8 screws on the covers to 15 Nm (11 lb-ft).

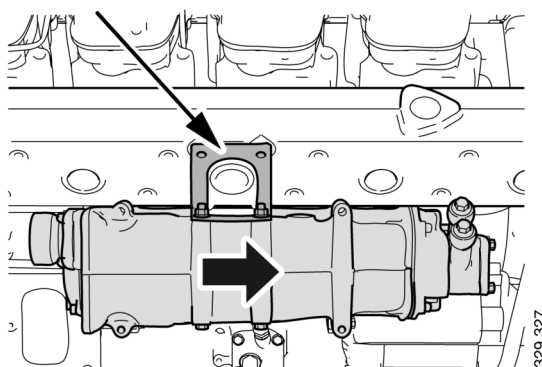


362 870

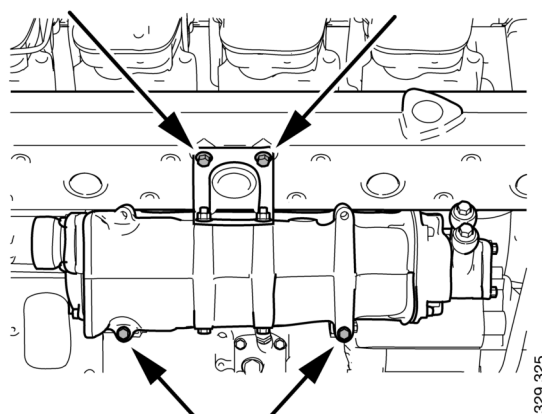
1. Cover.
2. Spacer.
3. O-rings.
4. Heat exchanger housing.
5. Cooler core

## Fitting the heat exchanger

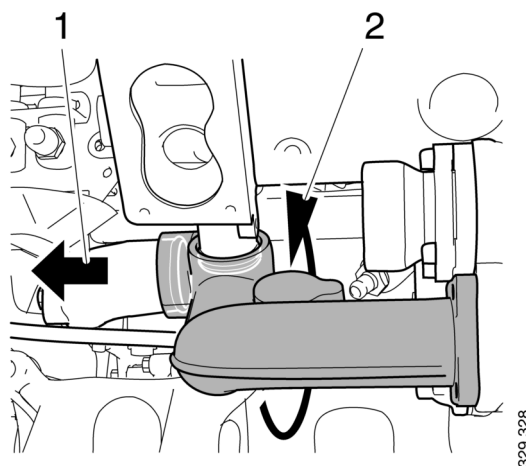
1. Fit the heat exchanger by holding the bracket for the exhaust manifold, moving it slightly to the side and fitting it.



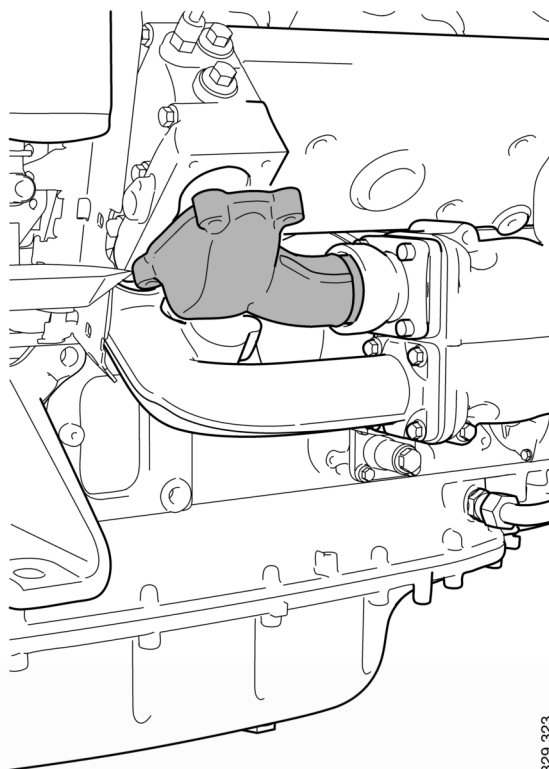
2. Fit all screws by hand and then tighten them. Tightening torque 50 Nm (37 lb-ft).



3. Lubricate and fit the coolant pipe from the heat exchanger. Angle the pipe from the thermostat housing inwards and push it onto the connection.

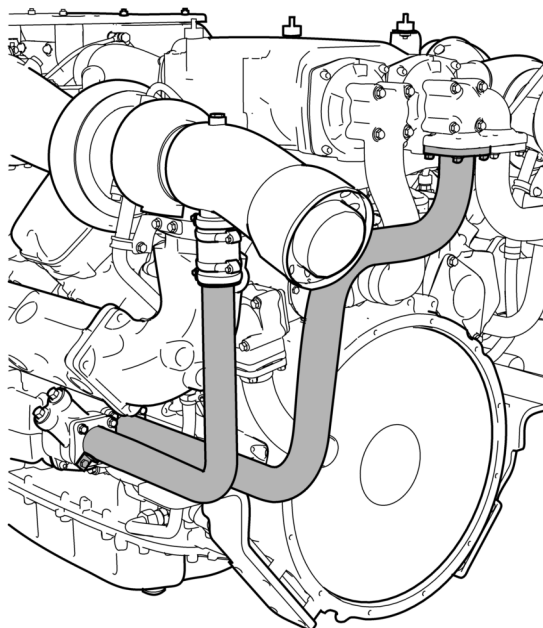


4. Fit the coolant pipe with the thermostat housing cover.



329 323

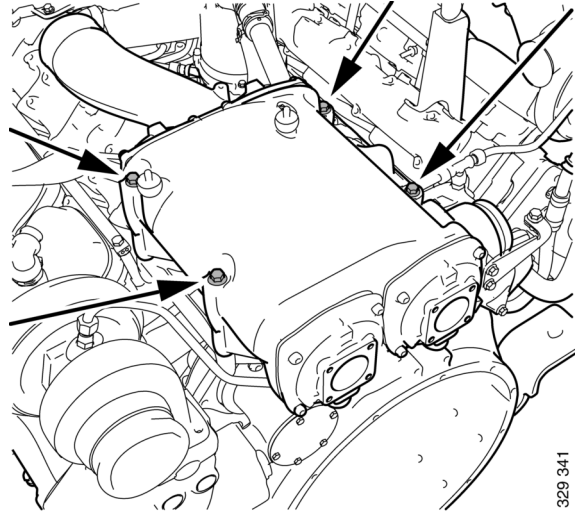
5. Fit the sea water pipe between the charge air cooler and heat exchanger.
6. If the engine has a water-cooled exhaust pipe bend: Fit the sea water pipe between the heat exchanger and the exhaust pipe bend.



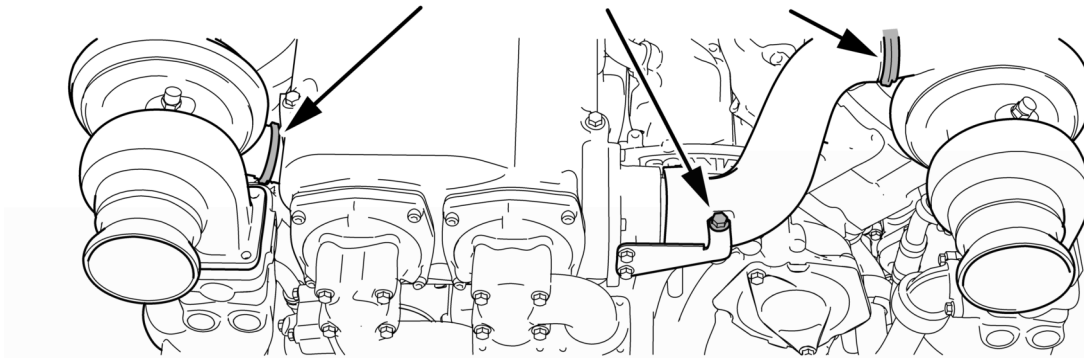
329 322

## Fitting the charge air cooler

1. Fit the charge air cooler. Tighten the 4 screws to 50 Nm (37 lb-ft).



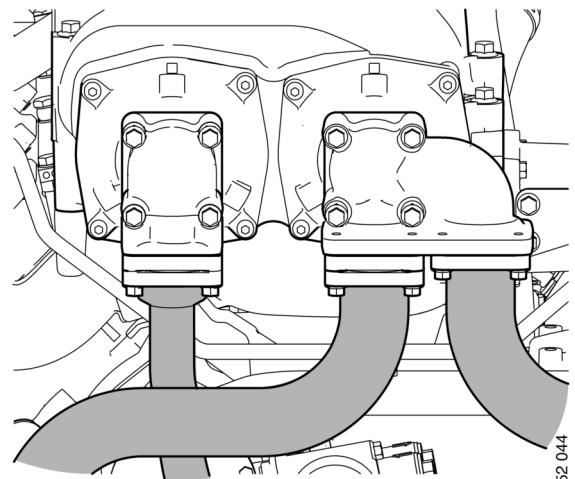
329 341



329 318

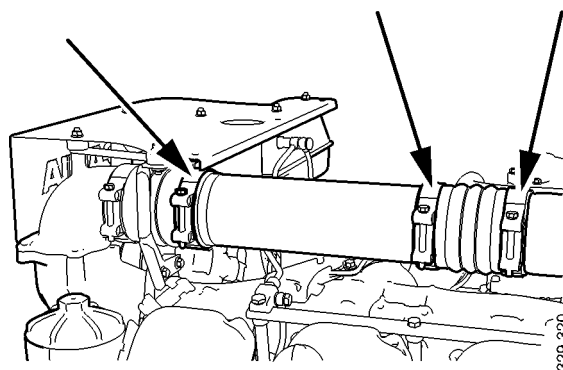
2. Carefully fit the charge air pipe from the left-hand turbocharger and tighten the V-clamp to 20 Nm (15 lb-ft).
3. Fit the charge air pipe from the right-hand turbocharger. Fit the V-clamp first and then the screw on the bracket.

4. Fit the sea water pipe from the sea water pump, first to the charge air cooler (the inner pipe) and then from the charge air cooler to the heat exchanger (the outer pipe).

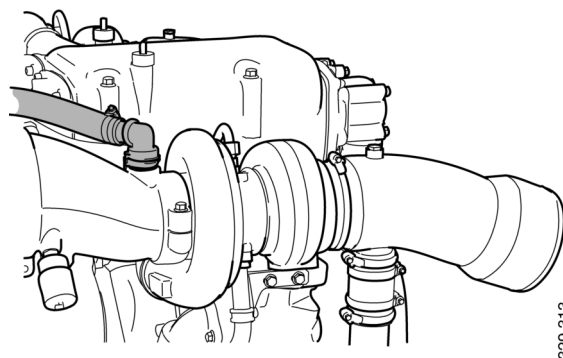


352 044

5. Fit the charge air pipe and the hose clamps.



6. Fit the crankcase ventilation hose.



7. Fit the catwalk:

- Loosely fit the protective plate to the charge air pipe. Tighten the screws later.
- Fit the protective casing. Tighten the screws later.
- Fit the catwalk with screws.
- Tighten all screws. The protective plate and protective casing must be tightened to a tightening torque of 15 Nm (11 lb-ft).



## Internal cleaning: Removing oil and grease in the cooling system



### Environment

Use a suitable container. Used coolant must be disposed of as specified in national and international laws and regulations.

Always fit new thermostats and a new cover to the expansion tank after cleaning, as the oil in the cooling system destroys the seals. If the engine is fitted with a coolant filter, also renew this filter.

It may be necessary to wash it multiple times if the cooling system is very dirty. One cause of contamination can be that oil is lying on top of the coolant and collecting high up in the cooling system. If several rinses are needed, this is not necessarily because work has been carried out incorrectly. Oil residues often need to be rinsed repeatedly from the expansion tank and the external heating system to be completely clean.

Repeated washing is more effective and preferable to using higher concentrations of detergent (max. 10%) or cleaning for a longer period (max 30 minutes).

If only a small amount of dirt has collected in the expansion tank after cleaning, one extra rinse and clean of the expansion tank only is usually sufficient. There is no need to clean the whole cooling system again.

1. Run the engine until it has reached operating temperature if possible and then drain the cooling system following the previous description.
2. Remove the thermostats.

3. Fill the cooling system with clean hot water mixed with detergent 2 479 017. Detergent 2 479 017 must make up 5-10% (depending on the degree of dirt) of the total coolant volume.

If detergent 2 479 017 is not available, use a dishwashing detergent for domestic appliances that does not foam. Concentration 1%.

4. Warm up the engine for approximately 20-30 minutes. Remember to switch on the cab heating system, if one is installed.
5. Drain the cooling system.
6. Fill the cooling system with clean, hot water and run the engine for about 20-30 minutes.
7. Repeat steps 3-6 if the cooling system is not clean.
8. Drain the water from the cooling system.
9. If necessary, clean the expansion tank by detaching all hoses and rinsing and cleaning with a degreasing agent and a dish brush.  
Alternatively, dismantle the expansion tank and clean it with water with 10% of detergent 2 479 017. Fill the expansion tank with the mixture, shake it and drain it. Renew the cover of the expansion tank.
10. Fit new thermostats.
11. Fill the cooling system with new coolant as described in the next section.
12. Check again whether further dirt or oil has collected in the expansion tank. Decide whether it is necessary to carry out another full cleaning or whether only rinsing or cleaning of the expansion tank will suffice.

## Internal cleaning: Removing deposits in the cooling system



### Environment

Use a suitable container. Used coolant must be disposed of as specified in national and international laws and regulations.

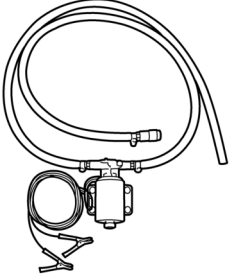
---

1. Run the engine until it has reached operating temperature if possible and then drain the cooling system following the previous description.
2. Remove the thermostats.
3. Fill the cooling system with clean hot water mixed with a radiator detergent that is based on sulfamic acid and contains dispersing agents. Follow the manufacturer's instructions for the concentration and cleaning period.
4. Run the engine for the specified time. Remember to switch on the cab heating system, if one is installed.
5. Drain the cooling system.
6. Fill the cooling system with clean, hot water and run the engine for about 20-30 minutes.
7. Drain the water from the cooling system.
8. Refit the thermostats.
9. Fill the cooling system with new coolant as described in the next section.

## Filling coolant

This procedure applies when the cooling system has been drained and needs to be filled with a large amount of coolant.

### Special tools

Number, designation	Illustration
2 443 679, coolant pump	 <p style="text-align: right; font-size: small;">360 625</p>



### WARNING!

Use protective gloves as coolant can cause irritation if it comes in contact with the skin. Hot coolant can also cause scalding.



### IMPORTANT!

Mix the coolant as specified in the section headed [Coolant](#).

It is not permissible to top up large amounts of coolant via the expansion tank. Filling via the expansion tank leads to air pockets in the cooling system which can lead to e.g. damage to the coolant pump shaft seal.

Never fill a hot engine with a large amount of cold coolant. There is a high risk of cracks forming in the cylinder block and cylinder heads

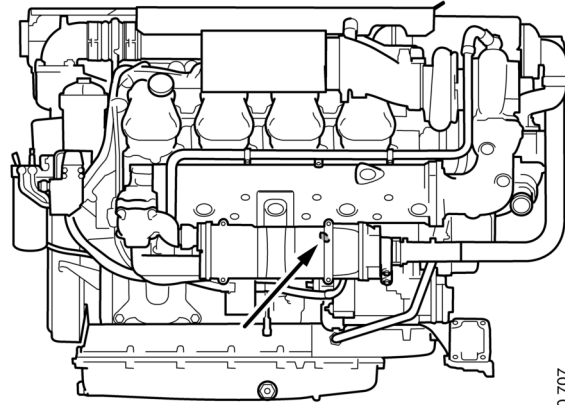
Do not start the engine until the correct coolant level has been obtained. If the engine is started with engine coolant level low, it can damage the coolant pump shaft seal, which leads to coolant leakage.

1. Open the expansion tank cap.
2. Connect the coolant pump to the filler nipple in the cylinder block.
3. Connect the pump's 2 cable terminals to the battery's negative and positive terminal. Make sure that the filling starts. If the filling does not start: Change the position of the cable terminals.
4. Start the engine and run it at idling for 15 minutes.



### IMPORTANT!

It is very important that the engine is idling. Engine overspeed could damage the coolant pump shaft seal, which leads to coolant leakage.



360 707

*Filler nipple in the cylinder block (behind the heat exchanger).*

5. Switch off the engine and fill with coolant to the maximum level through the expansion tank.

Air pockets may still be left in the cooling system. These will disappear after the engine has been operated for a period of time. Therefore, the coolant may need topping up at a later stage.

### Finishing operations

1. Open the sea cock on the sea water inlet.
2. Start the engine and check that there are no leaks.
3. Check the coolant level and top up if necessary via the expansion tank.

## Fuel system

### Cleanliness requirements



#### IMPORTANT!

The whole fuel system is very sensitive to dirt and also very small particles. Foreign particles in the system can cause serious malfunctions. It is therefore very important that everything is as clean as possible when work is carried out on the fuel system. Clean the engine before carrying out repair work. If possible, a hot wash should be used.

It is strictly forbidden to carry out any machining work or work with compressed air near an open fuel system.

Be extra careful and always use clean, lint-free and dust-free clothes and disposable gloves when working on the fuel system. Scania recommends using Tegera 848 gloves.

Clean tools before they are used and do not use any worn or chrome-plated tools. Material and flakes of chrome may come off.

Clean connections and the surrounding area before removal. When cleaning, cloths or paper which shed fibres must not be used. Use clean and lint free cloths, part number 588 879.

Plug or cover the connections during removal. Also clean the connections before the components are fitted. Place removed components on a thoroughly cleaned, dust-free surface. Scania recommends using a stainless steel bench top, part number 2 403 296. Cover the components with a lint free cloth.

---

### Checking the fuel level

Check the fuel level and fill with fuel as necessary.

#### Note:

If the fuel tank has been run dry or if the engine has not been used for a long time, bleed the fuel system. See the section [Bleeding the fuel system](#).

---

## Draining and renewing the single water separating prefilter (option)

### IMPORTANT!

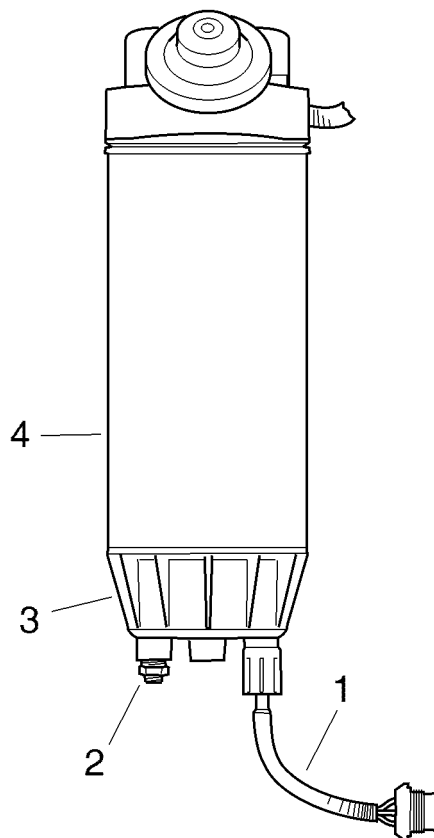
The sensor cable is sensitive. Handle it carefully.

### Environment

Use a suitable container. The fuel collected must be disposed of as specified in national and international laws and regulations.

Before starting work: Close the shut-off cock in the fuel pipe and position a container under the filter.

1. Detach the sensor cable from the contact housing on the filter bracket.
2. Open the drain tap in the filter cover and let the fluid run down into the container.
3. Unscrew the filter cover.
4. Unscrew the filter from the filter head.
5. Discard the old filter and use a new filter.
6. Lubricate the O-ring in the filter cover with engine oil.
7. Screw the filter cover onto the new filter by hand. Make sure that the drain tap is fully closed.
8. Lubricate the O-ring on the filter with engine oil.
9. Fill the width of the filter with clean fuel.
10. Screw the filter into position until the O-ring rests against the filter head. Tighten the filter another 1/2 to 3/4 turn by hand.
11. Open the shut-off cock on the fuel pipe and check that the fuel system is sealed.
12. Screw the sensor cable in the contact housing onto the filter bracket.
13. Bleed the fuel system according to the instructions in the [Bleeding the fuel system](#) section.



1. Sensor cable.
2. Drain tap.
3. Filter cover.
4. Filter.

336 101

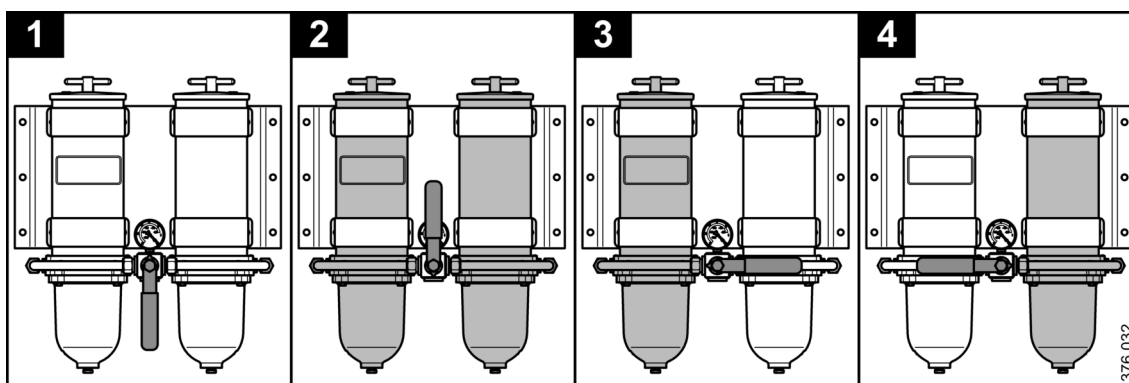
## Draining the reversible water separating prefilter (option)

During operation, the arrow on the rotary control should point towards the filter being used.



### Environment

Use a suitable container. The fuel collected must be disposed of as specified in national and international laws and regulations.



1. Closed, no filters are active.
2. Both filters are active.
3. Left-hand filter is active.
4. Right-hand filter is active.

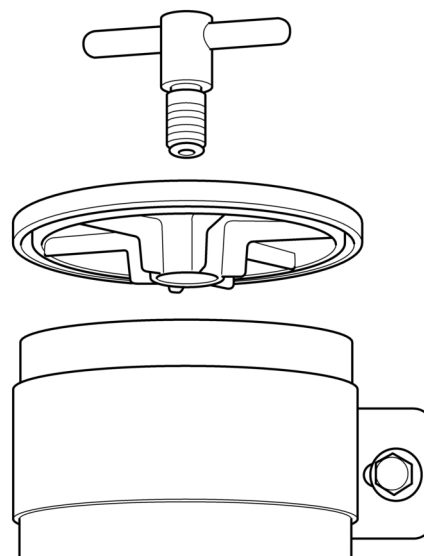
1. Switch off the filter that needs renewing. The arrow on the rotary control points towards the filter in operation.



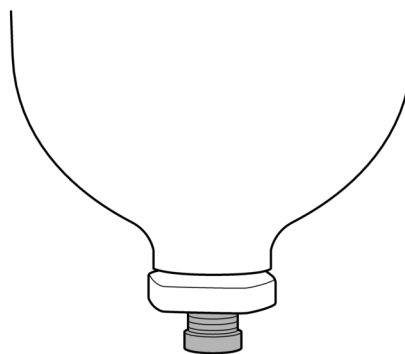
### WARNING!

Be careful that the valve does not pass the closed position when the engine is in operation. A closed position can result in the engine stopping.

2. Remove the cover from the filter housing.

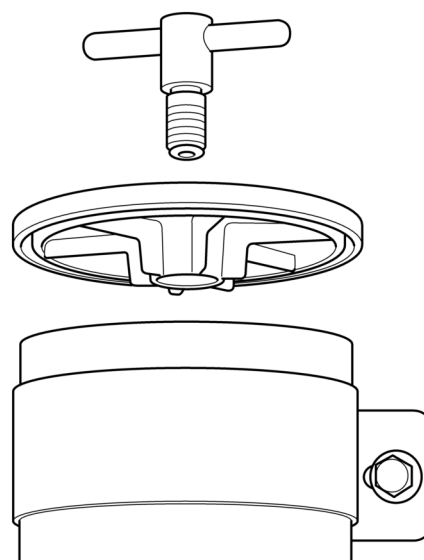


3. Undo the drain plug.
4. Tighten the drain plug when all the water has emptied.



377 156

5. Fill the filter housing with clean fuel.
6. Fit the cover. Tighten the cover screw by hand.



377 154



## Renewing the reversible water separating prefilter (option)

During operation, the arrow on the rotary control should point towards the filter being used.



### Environment

Use a suitable container. The fuel collected must be disposed of as specified in national and international laws and regulations.

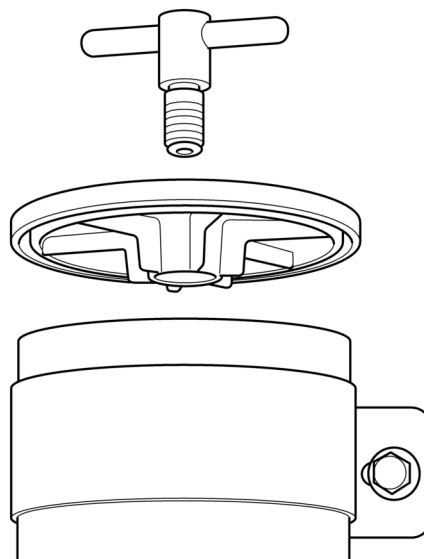
1. Switch off the filter that needs renewing.  
During renewal, the arrow on the rotary control points towards the filter in operation.



### WARNING!

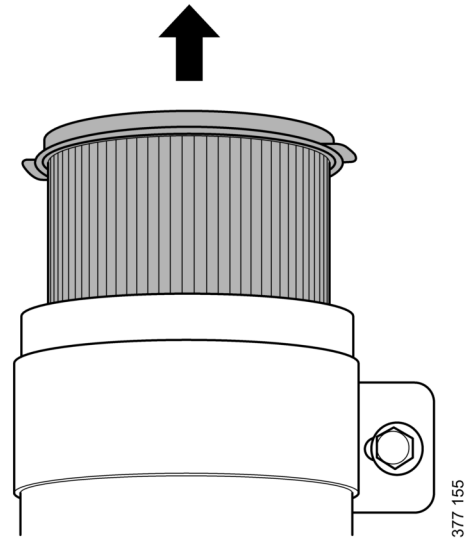
Be careful that the valve does not pass the closed position when the engine is in operation. A closed position can result in the engine stopping.

2. Clean the filter housing externally with a cleaning cloth.
3. Remove the cover from the filter housing.



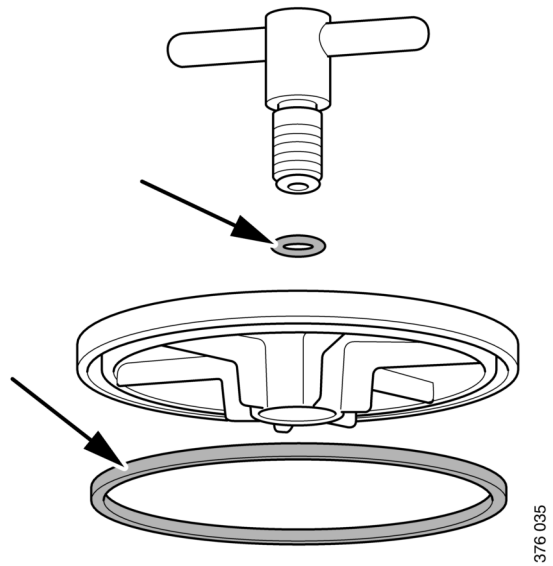
377 154

4. Remove the filter and fit the new filter.



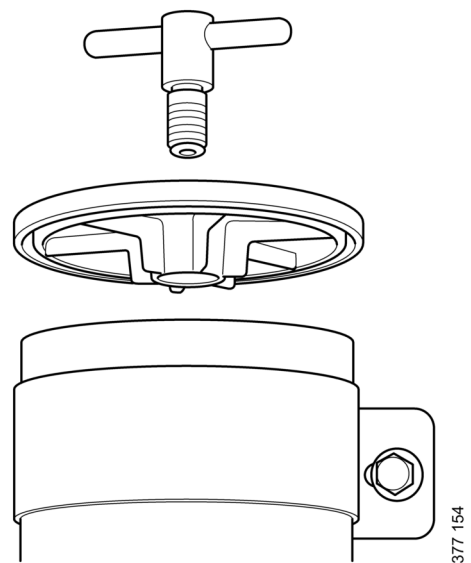
5. Renew the O-rings in the cover.

6. Lubricate the O-rings with engine oil.



7. Fill the filter housing with clean fuel.

8. Fit the cover. Tighten the cover screw by hand.



## Renewing the fuel filter

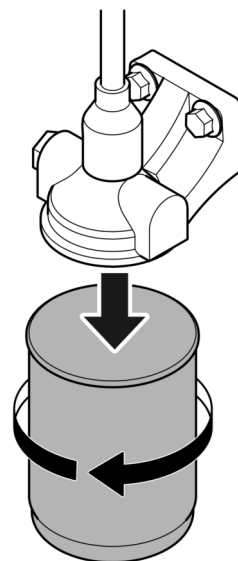


### Environment

Use a suitable container. The fuel collected must be disposed of as specified in national and international laws and regulations.

---

1. Clean the exterior of the filter with a damp cleaning cloth.
2. Unscrew the filter.
3. Apply oil to the gasket on the new filter.
4. Screw the filter into place by hand until it makes contact.
5. Screw a further half turn by hand.
6. Bleed the fuel system according to the instructions in the [Bleeding the fuel system](#) section.



325 167

## Renewing and venting reversible fuel filters (option)

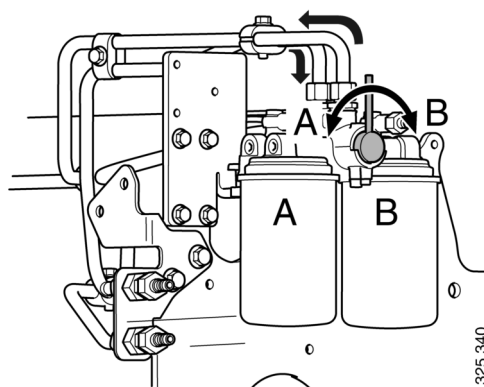
During operation, the rotary control should point 90° towards the filter being used.



### Environment

Since the engine may be running during filter renewal, fuel spillages may occur. Use a suitable container. Any fuel collected must be disposed of as specified in national and international law.

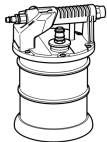
1. Turn the rotary control 90° to the right so that it points towards filter B. The fuel then flows through the filter.
2. Connect a clear plastic hose to the bleed nipple positioned above filter A. Start by wiping off the bleed nipple. Place the other end in a container with a capacity of at least 3 litres (1 US gallon).
3. Open the bleed nipple on side A. The remaining pressure is released.
4. Clean the exterior of the filter with a cleaning cloth.
5. Unscrew the filter.
6. Apply oil to the gasket on the new filter.
7. Screw the fuel filter into place by hand until it makes contact. Turn screw a further half turn by hand.
8. Turn the rotary control 90° to the left so that the rotary control points straight up. Both filters now run simultaneously.
9. When fuel without air bubbles comes out: Close the bleed nipple. Because the engine is running, a lot of fuel will come through the hose.
10. Turn the rotary control 90° to the left so that the rotary control points towards filter A. Filter B can now be renewed in the same way as filter A.



## Bleeding the fuel system

### Venting the fuel system using a suction tool

#### Tool

Designation	Illustration
Suction tool for fuel system	

#### Note:

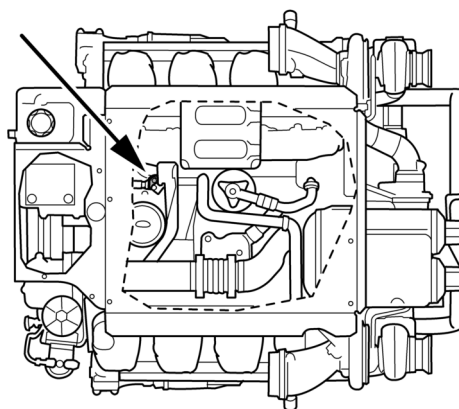
Scania recommends venting the fuel system using suction tools rather than with a hand pump. This is a quicker and simpler method, which ensures a complete venting.



#### Environment

Use a suitable container. The fuel collected must be disposed of as specified in national and international laws and regulations.

1. Attach a clear plastic hose to the bleed nipple on the fuel manifold. Start by wiping off the bleed nipple. Place the end of the plastic hose in a container that holds at least 3 litres (1 US gallon).
2. Connect the suction tool.
3. Connect compressed air to the suction tool. Turn the rotary control to create a vacuum.
4. Open the bleed nipple.
5. Hold the suction tool straight and suction out the fuel. Once the fuel coming out of the plastic hose is free of air bubbles, then venting is complete.
6. Close the bleed nipple. Remove the plastic hose and suction tool.
7. Start the engine and check that there are no leaks.



*Fuel manifold bleed nipple.*

362 828

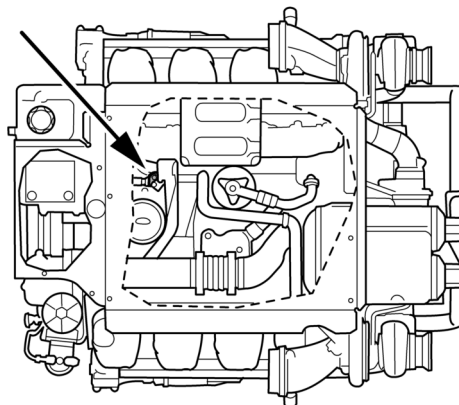
## Venting the fuel system using a hand pump



### Environment

Use a suitable container. The fuel collected must be disposed of as specified in national and international laws and regulations.

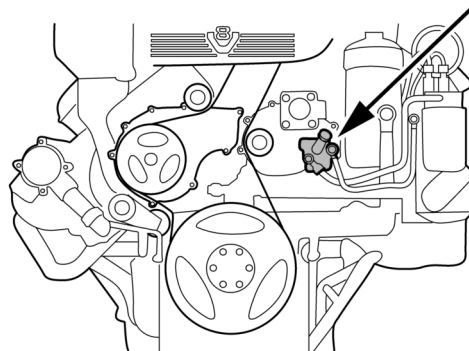
1. Attach a clear plastic hose to the bleed nipple on the fuel manifold. Start by wiping off the bleed nipple. Place the end of the plastic hose in a container that holds at least 3 litres (1 US gallon).



362 828

*Fuel manifold bleed nipple.*

2. Open the bleed nipple and pump with the hand pump until fuel comes out of the hose. If the fuel system is empty, it is necessary to pump approximately 200 strokes in order to draw up the fuel. Depending on the installation, a significantly greater number of pump strokes may be required before the fuel comes out.
3. Pump until fuel without air bubbles comes out, approximately 20 strokes.
4. Close the bleed nipple and remove the plastic hose.
5. Pump approximately 20 strokes with the hand pump until the overflow valve opens. A hissing sound should be heard.
6. Start the motor. The motor should be easy to start.
7. If the fuel filter has been renewed, check that no fuel is leaking from the filter. Further tighten the filter if it is leaking.



362 829

*Hand pump.*

## Other

### Checking the drive belt

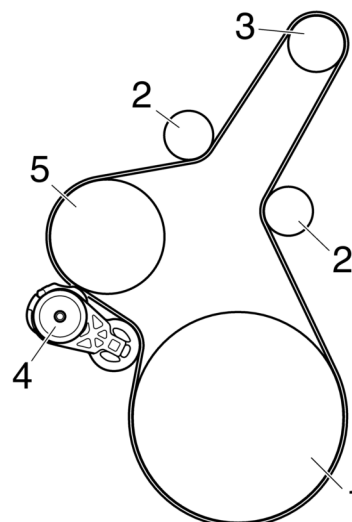
#### IMPORTANT!

Before starting, make a note of how the drive belt is fitted. Refit the drive belt with the same direction of rotation as it had before removal.

1. Check the drive belt for cracks. Renew the drive belt if deep cracks have formed.

#### Note:

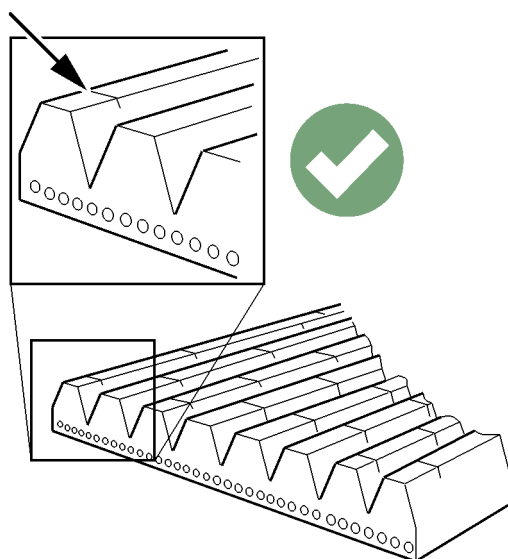
Small and shallow cracks are normal and form after only a few hours of operation. They do not mean that the drive belt needs to be renewed. If there are many deep cracks, or if parts of the drive belt have started to come off, the drive belt must then be renewed.



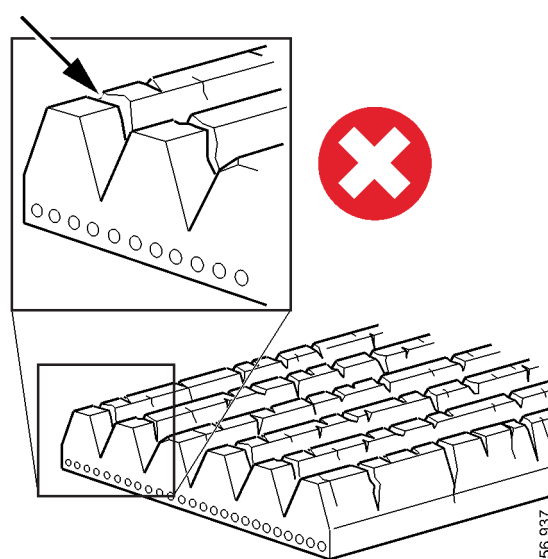
389 001

*Example of a drive belt.*

1. Crankshaft.
2. Idler roller.
3. Alternator.
4. Belt tensioner.
5. Coolant pump.



456 936

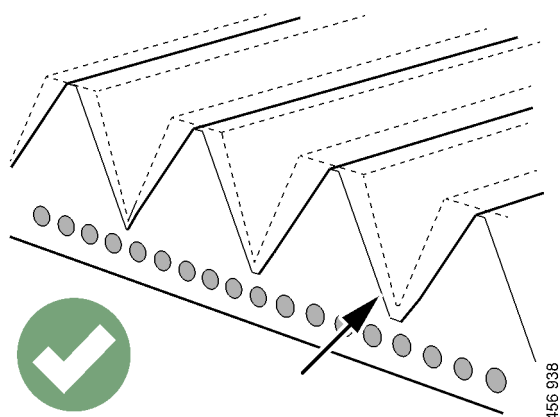


456 937

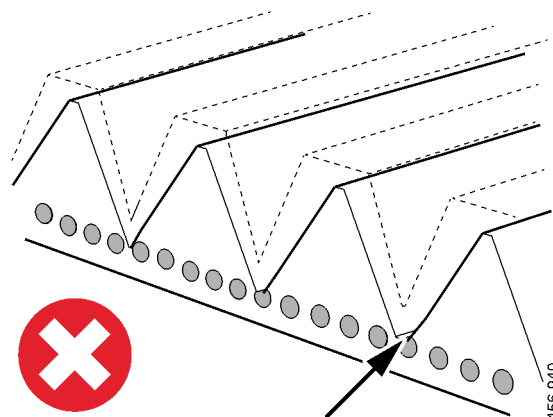
*Example of a minor crack in the drive belt. The drive belt can be refitted.*

*The drive belt has deep cracks and must be renewed.*

2. Check drive belt wear. Renew the drive belt if it is too worn.



*The drive belt is starting to become worn, but can be refitted.*



*The belt is worn down to the cord. The drive belt must be renewed.*

## Checking for leakage



### IMPORTANT!

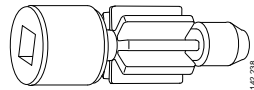
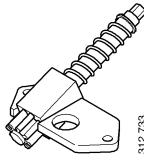
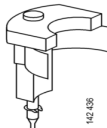
If serious leakage occurs, contact your nearest workshop.

1. Start the motor.
2. Check for oil, coolant, fuel, air or exhaust leakage.
3. Tighten or renew leaking connections. Check the overflow holes which show whether the O-rings between the cylinder liners and crankcase are leaking.
4. Check whether the drain hole on the coolant pump is blocked. If there is leakage, renew the seal in the pump or the complete coolant pump assembly.



## Checking and adjusting the valve clearance and unit injectors

### Special tools

Number	Designation	Figure
99 309	Turning tool for rotating the flywheel from below	
2 402 509	Turning tool for rotating the flywheel from above	
99,442	Setting tool	

### Other tools

Torque wrench, 0-50 Nm

Waterproof felt-tip pen

0.45 and 0.70 mm feeler gauges

Flash light

Mirror



### WARNING!

Secure the starting device or remove a battery cable. If the engine starts unexpectedly, there is a serious risk of injury.



### IMPORTANT!

The engine must be cold when the work is carried out.

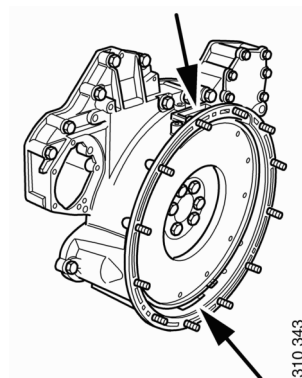
Remember to remove the turning tool from the flywheel following adjustment.

### Note:

Carry out the working without pausing, so that no step is overlooked.

Carry out a check and adjustment of the valve clearances and the unit injectors one more time after the first 500 hours of operation. After this, adjustment according to the regular interval takes place, which is every 2,000 operational hours.

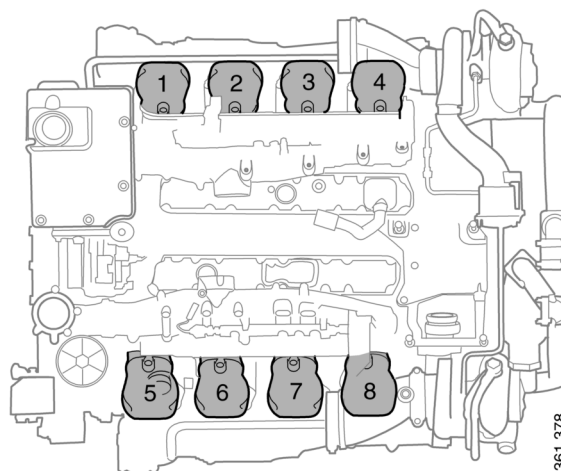
The reference information UP TDC, DOWN TDC and the angle indications listed in the table below are engraved on the flywheel. Depending on the engine installation and type of flywheel housing, this information is visible in one of the windows, either furthest up or furthest down on the flywheel. See illustration.



Upper and lower window to read the engraving on the flywheel.

## Workflow table

Adjust valves and unit injectors according to the table below. Follow the respective column depending on whether you are reading the engraving on the flywheel in the lower or the upper window. Start adjustment at the top of the table.



Order of cylinders.

Reading in the lower window	Valve transition on cylinder	Adjust intake valve on cylinder	Adjust exhaust valve on cylinder	Adjust injector on cylinder	Reading in the upper window
DOWN TDC (0°)	6	7 and 8	4 and 5	4 and 5	UP TDC (180°)
UP TDC (180°)	7	1 and 5	2 and 6	2 and 6	DOWN TDC (0°)
DOWN TDC (360°)	1	2 and 4	3 and 7	3 and 7	UP TDC (540°)
UP TDC (540°)	4	3 and 6	1 and 8	1 and 8	DOWN TDC (360°)

## Checking and adjusting the valve clearance

Valve clearance, specifications	
Intake valve	0.45 mm (0.018 in)
Exhaust valve	0.70 mm (0.028 in)

Tightening torque	
Lock nut for valves	35 Nm (26 lb/ft)

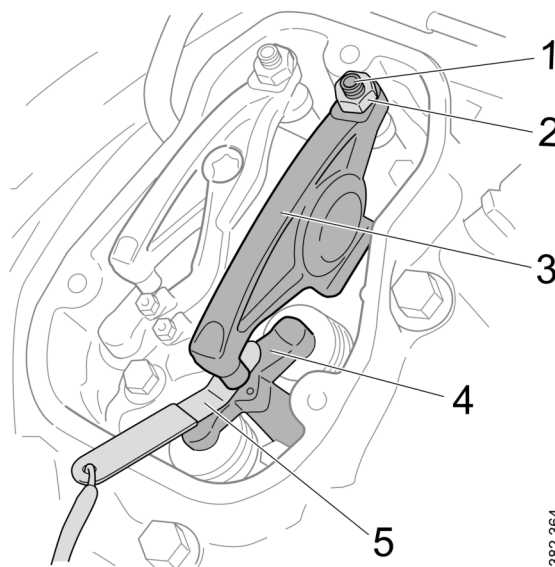
1. Clean the rocker covers and the area around them.
2. Remove the rocker covers.
3. Use the turning tool appropriate to the installation of the engine. Tool 99 309 is used to rotate the flywheel from the underside of the engine and tool 2 402 509 is used from the top side.
4. Start adjusting one cylinder according to the table. Rotate the flywheel until the correct engraving can be read on the flywheel. It may be necessary to rotate it more than 1 revolution.

Rotate the flywheel in the rotational direction of the engine, which is clockwise viewed from the front of the engine and anti-clockwise viewed from the back of the engine.

During a valve transition, the exhaust valve (the long arm) is closing at the same time as the intake valve is opening.

The UP TDC engraving on the flywheel is now visible in the window furthest up on the flywheel. The DOWN TDC engraving is visible in the lower window.

5. Read [Workflow table](#) on the previous page to see which valve to adjust.
6. Stick the feeler gauge under the pressure pad of the rocker arm and check the valve clearance.
7. If necessary, adjust the valve clearance by
  - a) loosening the lock nut on the end of the rocker arm
  - b) adjusting the valve clearance with the adjusting screw
  - c) tightening the lock nut.
8. Mark the rocker arm with the felt-tip pen and adjust the unit injector according to the next section. Then continue on to the next cylinder according to the table.



1. Adjusting screw.
2. Lock nut.
3. Rocker arm.
4. Valve bridge.
5. Feeler gauge

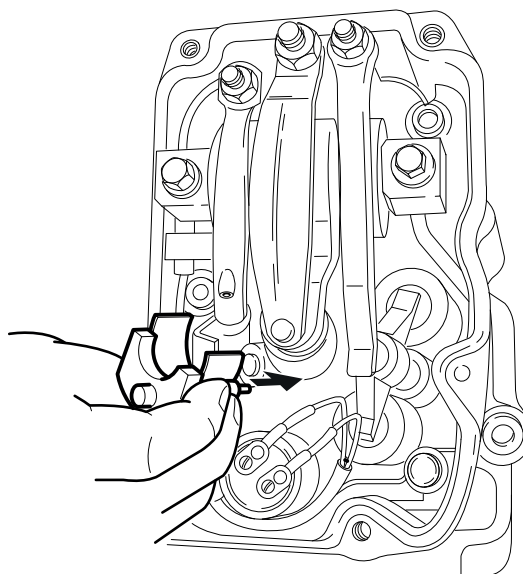
382 364

## Checking and adjusting the unit injectors

### Tightening torque

Lock nut for unit injectors	39 Nm (29 lb/ft)
-----------------------------	------------------

1. Read [Workflow table](#) to see which injector to adjust.
2. Fit the setting tool with the metal plate around the unit injector.



382 761

The unit injector is correctly set when the small piston (1) is level with the flat upper surface of the tool. Use a finger to check. You can feel very small differences. See also the illustrations on the next page.

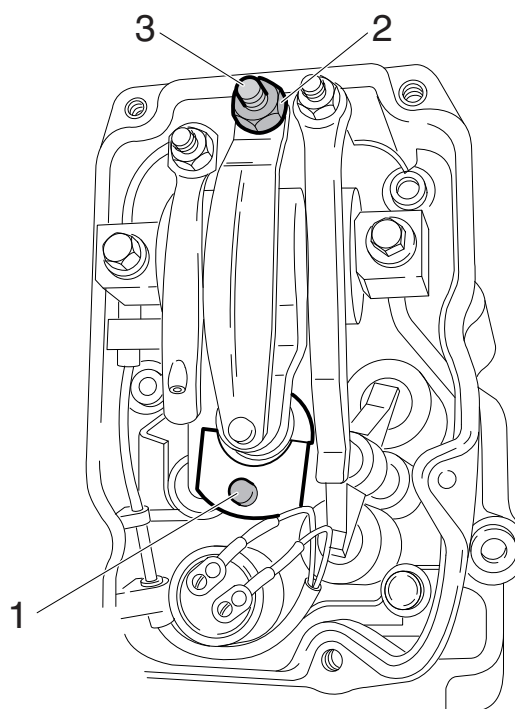
3. If necessary, adjust the unit injector by
  - a) loosening the lock nut (2)
  - b) adjusting the unit injector using the adjusting screw (3)
  - c) tightening the lock nut.



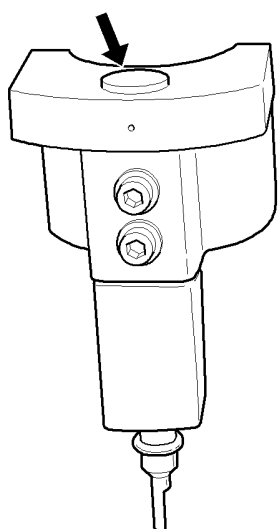
### IMPORTANT!

Remove the setting tool when the adjustment is done.

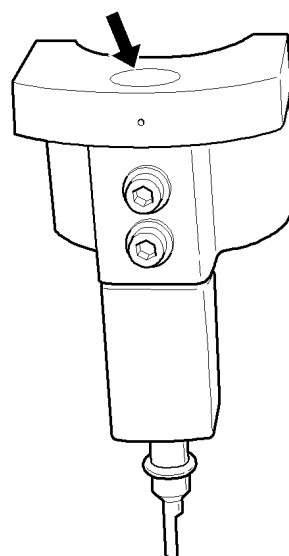
4. Mark the injector with the felt-tip pen and continue adjustment according to the table.



382 762



144 015



144 015

*The setting tool piston is above or below the flat upper surface of the tool. Adjust the unit injector.*

*The setting tool piston is level with the flat upper surface of the tool. The unit injector is correctly adjusted.*

## Renewing the reductant filters

### Note:

There is always 1 reductant pump with a filter in the reductant tank (buffer tank). However, there may be 1 additional reductant pump with a filter between the main reductant tank and the buffer tank.

1. Wipe clean around the filter housing to prevent impurities from penetrating it.
2. Remove the filter housing. Use a 46 mm socket.



### WARNING!

There may be a lot of reductant in the filter housing and it may spill out. Wear protective gloves.

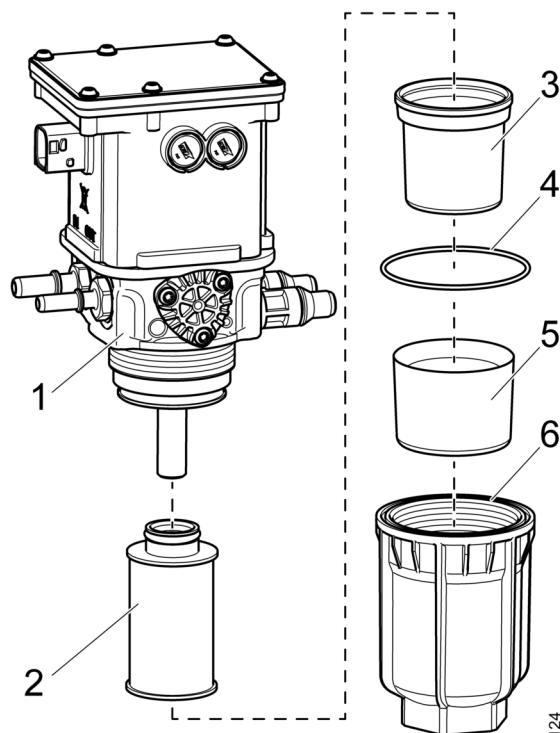


### IMPORTANT!

Always rinse away reductant spillage on connections and other parts with lukewarm water to prevent corrosion. If reductant seeps into electrical connections or electrical cables, these must be renewed.

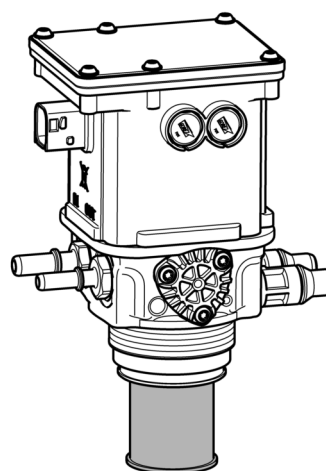
3. Remove the sealing diaphragm.

4. Remove the old reductant filter and fit a new one.



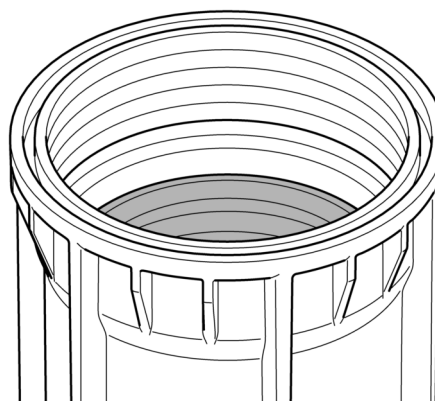
372 124

1. Reductant pump.
2. Filter.
3. Sealing diaphragm.
4. O-ring.
5. Antifreeze.
6. Filter housing



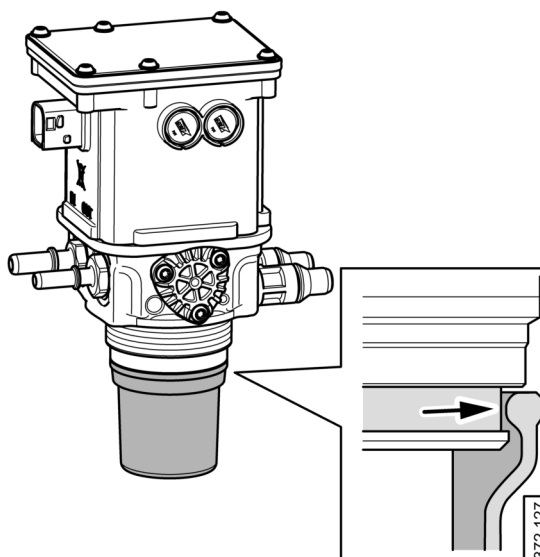
372 126

5. If the frost protection device in the filter housing comes loose, wipe both the frost protection device and filter housing thoroughly so that they are completely dry before they are assembled again.



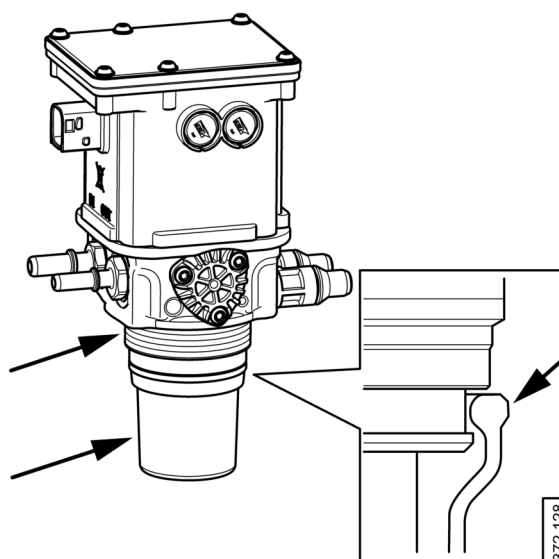
372 130

6. Wipe the sealing diaphragm and fit it over the filter.  
Ensure that the edge of the diaphragm is sitting in the groove.



372 127

7. Lubricate the sealing diaphragm and threads with the accompanying spray.



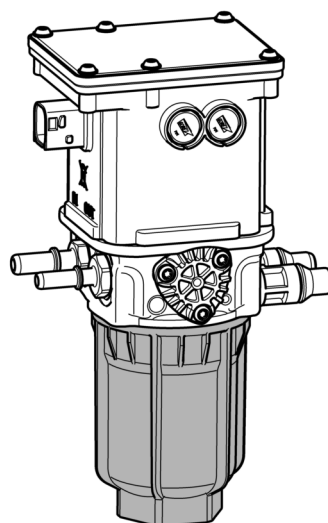
372 128

8. Renew the O-ring. Place the new O-ring in the filter housing.



372 129

9. Refit the filter housing. Use a 46 mm socket. Tighten to 80 Nm (59 lb-ft).



372 125



## Quality requirements for fuel

Quality requirements and testing standards for the most important properties of different types of fuel are described in the Workshop Manual. This can be ordered from Scania dealers or directly from Scania.

### Diesel

#### Characteristics

The quality of the diesel is very important for the operation and service life of the engine and the fuel system, and also for the engine performance.



#### **REQUIREMENT!**

The diesel should comply with the requirements of European standard EN590.

However, Scania accepts larger tolerances of certain properties. Please see the table below.

Characteristic	Requirements
Viscosity at 40°C (104°F)	1.4-4.5 cSt
Density at 15°C (59°F)	0.79-0.87 kg/dm <sup>3</sup>
Ignitability (CET rating)	minimum 49
Lowest flashpoint	56°C (132°F)
Particulate contamination level	Classification 22/20/17 according to ISO 4406

## Sulphur content

Scania IMO Tier III engines may be run with diesel fuel with sulphur content of up to 1,000 ppm. The following information is important for those driving with fuels with high sulphur content.

Scania IMO Tier III engines use an SCR catalytic converter to reduce NOx emissions.

Sulphur in the diesel fuel can lead to gradual deactivation of the SCR catalytic converter. The sulphur in the fuel is transported into the exhaust gases via the combustion chamber. This reduction in SCR performance is caused by adsorption of ABS (ammonium bisulphate,  $(\text{NH}_4)_2\text{H}_2\text{SO}_4$ ) on the catalytic converter material at low exhaust gas temperatures (between 200°C and 300°C) and when AdBlue dosing is active.

At higher exhaust gas temperatures, the ABS system is burned off and SCR performance is recycled. The higher the sulphur concentration in the fuel, the faster SCR deactivation will take place.

Scania has a diagnostic function that monitors the conversion efficiency of the SCR catalytic converter. If the NOx of the exhaust pipe exceeds the IMO Tier III limits, the diagnostics monitor must trigger a fault and set a warning lamp. This is required by Scania by the certification authorities. Therefore, continuous operation of the Scania IMO Tier III engine, in IMO Tier III mode, at low load with high sulphur fuel will lead to an increased risk of reduced conversion efficiency in SCR and will therefore also set a fault code, SPN 4090, FMI 16 (DTC no. 0x20EE), which is sent via CAN message DM1. If this occurs, the following steps should be taken:

1. Use the engine so that the exhaust gas temperature upstream of SCR is above 400°C for 30 minutes to burn off the sulphur. The temperature upstream of SCR can be monitored as this information is sent out on CAN (Message A1SCREGT1\_E, ID: 14FD3E00 – See CAN specification for more information).
2. Trigger the diagnostic monitor again by running the engine at more than 180 kW for 40 minutes, or until the lamp goes out. The engine speed must be above 1,100 rpm.



### IMPORTANT!

The operator is responsible for using the correct type of diesel to ensure that local laws are complied with.

### Important to use low sulphur diesel

For engines with SCR systems certified in accordance with IMO Tier III, it is important to use low-sulphur diesel, to ensure that the engine works correctly. If diesel with an excessive sulphur content is used, it can cause damage to the engine and the SCR system.

## Permitted sulphur content in diesel

Engine type	Max. sulphur content	Note
Engines without SCR system connected	4,000 ppm (0.4%)	If the sulphur content is higher than 2,000 ppm, the oil change intervals must be halved. A higher sulphur content than 4,000 ppm is not permitted, since this will result in engine damage.
Engines with SCR system connected	500 ppm (0.05%)	Scania strongly recommends that fuel with a maximum sulphur content of 50 ppm is used if the engine is run with an SCR system connected for longer periods of time.

### Diesel with a higher sulphur content than 500 ppm for engines with SCR systems

If diesel with a higher sulphur content than permitted is used on a short-term basis, this will not cause permanent damage to the SCR catalytic converter. The SCR catalytic converter may, however, require diesel with a low sulphur content for some time after this to regain its normal efficiency.

If diesel with an excessive sulphur content is used for a longer period, there is a risk that the SCR catalytic converter will not work properly.

### Temperature dependence of diesel



#### IMPORTANT!

Mixing kerosene or other paraffins with the diesel is prohibited. The injectors may be damaged.

It is not permissible to mix petrol with diesel. In the long term petrol can cause wear in the injectors and engine.

At temperatures lower than those specified for the diesel, paraffin wax may precipitate from the diesel and block filters and pipes. The engine can then lose power or stop.

The diesel is adapted for use in the specific climate of each country. If an engine is to be operated in a temperature zone with a temperature lower than normal, first identify the temperature properties of that particular diesel.

## DMX and DMA diesel



### IMPORTANT!

Use of DMX and DMA diesel is not permitted for engines with SCR systems.

---

DMX and DMA diesels normally cause increased wear on the injection system. As a result of the high sulphur content in these types of diesel, the engine oil is also affected. The engine oil must have as high a Total Base Number (TBN) as possible.



### REQUIREMENT!

For engines running on DMX and DMA diesels, the engine oil must have a TBN of at least 12.

---

When the engine is taken into operation the engine oil must be analysed every 50 hours to determine the correct oil change interval. The oil analysis must be carried out according to the instructions in the [Oil analysis](#) section in this Operator's manual.

Bear in mind that the emission limit for the current engine type may limit the maximum permitted sulphur content of the diesel.

## Biodiesel (FAME)

### Use of biodiesel



#### IMPORTANT!

For engines with SCR systems, a maximum of 10% mixture of biodiesel should be used.

---

Scania uses the term biodiesel to refer to a renewable diesel made from greases or oils and methanol. The biodiesel should conform to the requirements of European standard EN 14214 or Brazilian standard ANP-45. For biodiesel in accordance with EN 14214 or ANP-45, the generic term FAME is frequently used.

Normal diesel in accordance with EN 590 can contain up to 7% biodiesel from the diesel supplier. There are grades of diesel that comply with EN 590 but contain a higher mixture of biodiesel.

Scania approves up to a 10% mixture of biodiesel for all engines.

For PDE engines, Scania approves the use of up to 100% biodiesel in accordance with EN 14214 or ANP-45. However, this does not apply to engines with an SCR system, for which only a 10% mixture is permitted.

### Maintenance interval



#### IMPORTANT!

Make sure that maintenance intervals are different when operating on diesel or biodiesel.

---

With a greater mixture of biodiesel than 10%, the renewal intervals for the following are halved:

- Fuel filter.
- Oil filter.
- Engine oil.

The viscosity grade of the engine oil should be xW-40. xW-30 grade oils are unsuitable due to the fuel dilution effect.

Check the engine oil level regularly. If the oil level exceeds the maximum level, the oil must be changed. Check the cause if the oil level exceeds

the maximum level and contact your nearest Scania workshop if you suspect a fault.

### Storage of biodiesel



#### IMPORTANT!

Biodiesel must not be stored for more than 6 months.

---

Biodiesel has a maximum storage life of 6 months from the date of production to the expiry date. The fuel is affected by light, temperature, water, etc. during storage, which affects the fuel characteristics and durability.

Biodiesel also has lower stability against oxidation than diesel. This may result in a thickening of the fuel and clogging of parts of the fuel system, e.g. the fuel filter. Bacterial growth can occur when biodiesel is stored in a tank in unfavourable conditions. Avoid storage in barrels or auxiliary tanks, except when fuel turnover rates are high. Check tank cleanliness whenever refuelling takes place.

If the engine has been refuelled with biodiesel, and is stationary for a long period, condensation water can form in the fuel tank resulting in bacterial growth.

See also the section [Preservative fuel](#).

## **Renewable diesel (HVO)**

HVO is a synthetic diesel which is manufactured through the hydrogenation of plants and animal fats. To the user, HVO is reminiscent of diesel in accordance with EN590, apart from HVO having a somewhat lower density.

Scania approves the use of up to 100% HVO for all engines in accordance with the European standard EN 15940.

## **Gas-to-liquids (GTL)**

GTL is a synthetic fuel that is often refined from natural gas. To the user, GTL is reminiscent of diesel in accordance with EN590, apart from GTL having a somewhat lower density and less odour.

Scania approves the use of up to 100% GTL in accordance with the European standard EN 15940.

## Reductant with SCR



### IMPORTANT!

The operator is responsible for using the correct type of reductant to ensure that local laws are complied with.

Reductant is a solution consisting of urea and water, and is usually called AdBlue®, DEF, ARLA 32 or AUS 32/AUS 40, depending on the market. If the engine is fitted with an SCR system, the reductant is added to the exhaust gases upstream of the catalytic converter. This reduces nitrogen oxide emissions. The SCR system can be used with either 32.5% or 40% by weight of urea.

Reductant is normally colourless if no dye has been added. It is not harmful to the skin. Nor is it toxic in small quantities, but it tastes very unpleasant.

Reductant with 32.5% by weight of urea freezes at approx. -11°C (12°F). With 40% by weight of urea freezes at 0°C (32°F). When the solution freezes, ice and urea always maintain the same concentration. Always store the reductant at a temperature of between 0°C and 30°C (32 to 86°F).

Reductant is highly corrosive. Therefore, rinse any reductant spillage from connections and other details using lukewarm water. Water works very well for cleaning purposes. Please use hot water. If reductant seeps into electrical connections or electrical cables, these must be renewed.

Reductant has a low surface tension and rapidly spreads over large areas, which then become very slippery.

Reductant can dry out and form white or greyish brown crystals or deposits that can be washed away with warm water.

The risk of crystal formation increases with low outdoor temperatures. When the outdoor temperature is below -20°C (-4°F), reductant dosing is switched off to avoid the risk of crystals forming in the SCR system.



### IMPORTANT!

The use of reductant that has aged can damage important components in the SCR system. The

ageing process is accelerated by a high ambient temperature.

The reductant should be handled in accordance with the following shelf life recommendation.

Constant ambient storage temperature in °C.	Minimum shelf life in months according to ISO 22241-3
≤10	36
≤25	18
≤30	12
≤35	6
>35	Significant loss of service life: check each kit before use

## 32.5% by weight of urea



### REQUIREMENT!

If the SCR system should be operated with 32.5% by weight of urea, the reductant should be specified in accordance with ISO 22241 in order to comply with the emission requirements set by the public authorities.

---

Rec. % by weight of urea	Limit values according to ISO 22241
32.5%	31.8-33.2%

## 40% by weight of urea



### REQUIREMENT!

If the SCR system should be operated with 40% by weight of urea, the reductant should be specified in accordance with ISO 18611 in order to comply with the emission requirements set by the public authorities.

---

Rec. % by weight of urea	Limit values according to ISO 18611
40%	39-41%



## Preparing the engine for storage

### Note:

The engine should be stored indoors, in a temperature-controlled room with constant (or near constant) temperature, protected from dirt and dust.

If the engine is not being used for an extended period its cooling system, fuel system and combustion chamber and outside must be protected against rust.

On delivery, the engine is protected by so-called VCI plastic. Provided that the VCI bag is intact and has not been removed, the engine can be stored for 3 years without any action required. After 3 years, the engine must be preserved again and the battery must be renewed.

The interval between each new Preparing for storage is then 24 months and the bag is renewed.

The VCI bag must be inspected at least once a year. If the plastic is missing or broken, it must be replaced with a new one immediately.

An alternative to preparing the engine for long-term storage is to start the engine and warm it up every 6 months.

Preparation means that the following measures are taken:

- The engine is cleaned thoroughly.
- Run the engine for a specific period using special preservative fuel, oil and coolant.
- Otherwise prepare the engine for storage (filter renewal, lubrication, etc.).

## Preservative products

### Preservative oil

Use a normal engine oil that meets the requirements in the [Oil grade](#) section.

### Preservative coolant

Use coolant containing 50% by volume of glycol. Example: BASF MPG Glyscorr P113 and Valvoline Zerex P113 FP.



### WARNING!

Ethylene glycol can be fatal if ingested and can cause skin irritation and eye damage.

### Preservative fuel

Preservative fuel must not contain biodiesel. Even small amounts of 5-10% biodiesel can have adverse effects on the engine when in long-term storage.

Long-term storage of diesel, where the diesel comes into contact with water, may lead to the growth of micro organisms (bacteria and fungus).

In order to minimise the growth of micro-organisms, preservative fuel should contain the following additives. The additives should be selected and added by the fuel supplier.

Preservative fuel should comply with the following requirements:

- 0% biodiesel.
- Max. sulphur content 50 ppm.
- Max. water content 200 ppm.
- The fuel must contain additives to stop the growth of micro-organisms.

### Reductant

Over time, the water in the reductant evaporates and there is only urea left. The reductant then begins to crystallise. The reductant tank is not sensitive to crystals, but the ball valves in the reductant pump may become clogged. However, note that corrosion or other particles can also clog the ball valves.

All connections in the SCR system must be sealed before storage, so that the water in the reductant does not evaporate. The SCR system should then be stored in a cool location and not in direct sunlight. If the reductant tank has never been filled with reductant, it can be stored when empty for an unlimited time.

When the engine is taken into operation again, all reductant must be drained and changed. If old reductant is used, the SCR system will not work.

## Preparations for storage



### Environment

Use a suitable container. Used oil, coolant and reductant must be disposed of as specified in national and international laws and regulations.

#### Note:

Do not remove the injectors.

1. Remove plugs and tape from the coolant connections, air intake and exhaust pipe.
2. Drain the oil.
3. Renew the oil filter and fuel filter.
4. Clean the centrifugal oil cleaner.
5. Fill with engine oil to the minimum level on the oil dipstick.
6. Drain and flush the cooling system of any old coolant.
7. Top up with preservative coolant.
8. Mix preservative fuel in a can. Detach the fuel pipe at the feed pump suction line and connect a hose from the can.
9. Detach the fuel pipe at the overflow valve and connect a return hose to a separate can.
10. Connect and bleed the fuel system.
11. Start the engine and run it at about 1,100 rpm for 20 minutes.  
If the engine has an SCR system and the reductant tank is empty, it is possible to run the engine for this limited time without damaging the components of the SCR system. This applies if the engine is run without load.
12. If the engine has an SCR system the reductant tank is full of reductant: Seal all connections in the SCR system.
13. Remove the rocker covers and lubricate the valve mechanisms with pushrods and the valve tappets, as well as the injector mechanism, using a liberal amount of preservative oil. Refit the rocker covers.
14. Drain the coolant if the engine is not to be stored with coolant in the system. Plug and tape all coolant connections if the engine is to be stored without coolant in the cooling system.
15. Remove the sea water pump impeller if the engine has a sea water pump.
16. Renew the filter element in the air cleaner.
17. Cover the air intake and exhaust pipe.
18. Spray the outside of the alternator and starter motor with water-repellent anti-corrosive oil: CRC 226, LPS1 or equivalent.
19. Spray the outside of smooth engine parts, first with penetrating preservative oil such as Dinitrol 25B and then with Dinitrol 112 or equivalent.
20. Clearly mark the engine with the storage preparation date, and state that the engine must not be started or cranked.

## Batteries



### WARNING!

Wear protective gloves and eye protection when charging and handling batteries. The batteries contain a highly corrosive acid.

---

Remove the batteries and trickle charge them at the battery charging station. This does not apply to batteries specified as maintenance-free by the manufacturer.

The same applies to short-term storage, even if the engine has not been prepared for storage as above.

## Storage

After the preparation, the engine should be stored indoors in a dry location at room temperature. The engine must be packed in packaging made of VCI plastic to protect against dust, dirt and moisture.

## When the engine is to be taken into operation again

1. If the engine is equipped with an SCR system: Drain and clean the reductant tank and fill with new reductant.
2. Remove plugs and tape from the coolant connections, air intake and exhaust pipe.
3. Fill the cooling system with coolant.
4. Fit the sea water pump impeller if the engine has a sea water pump.
5. Drain the preservative oil.
6. Renew the oil filter and fuel filter.
7. Fill with new engine oil.
8. Remove the rocker covers and lubricate the valve mechanisms with pushrods and the valve tappets, as well as the injector mechanism, using a liberal amount of oil. Refit the rocker covers.
9. Drain the preservative fuel from the fuel manifold.
10. Connect and bleed the fuel system.
11. Wash off any preservative oil on the outside using white spirit.

## Technical data

### General data

Number of cylinders and configuration	V 8
Working principle	4-stroke engine
Cylinder diameter (mm/in)	130/5.12
Piston stroke (mm/in)	154/6.1
Displacement (dm <sup>3</sup> /in <sup>3</sup> )	16.4/1,001
Firing order	1 - 5 - 4 - 2 - 6 - 3 - 7 - 8
Compression ratio	
DI16 071, 073, 075, 079M	17.4:1
Other engine types	16.7:1
Engine direction of rotation viewed from rear	Anticlockwise
Fan direction of rotation viewed from front	Clockwise
Cooling	Coolant
Valve clearances, cold engine	
Intake valve (mm/in)	0.45/0.018
Outlet valve (mm/in)	0.70/0.028
Number of teeth on the flywheel	158
Low idling (rpm)	500-1,050
Maximum full-load speed (rpm)	1,800/2,100/2,300
Fuel	Diesel
Approximate weight, without coolant and oil (kg/lb)	
With heat exchanger	1,670/3,680
With keel cooling	1,600/3,530

## Lubrication system

Oil volume	See Maintenance
Oil cleaning	Centrifugal oil cleaning
Oil cooler	Coolant cooled, full flow
Oil filter	Paper filter, full flow
Interval between oil changes (h)	500
Oil grade Engines run on low-sulphur fuel Engines not run on low-sulphur fuel	ACEA E5 or E7 Total Base Number (TBN) > 12 (ASTM D2896)
Oil pressure (bar/psi) Normal with the engine at operating temperature, operating speed Minimum permitted at idling speed	3-6/43.5-87 0.7/10.2
Crankcase pressure with closed crankcase ventilation (mbar/psi)	-5.4 to 2.0/-0.08 to 0.03

## Intake system

Permissible pressure drop in the intake system with cleaned or new filter (mbar/psi)	30/0.44
Permissible pressure drop in the intake system with blocked (dirty) filter (mbar/psi)	65/0.94

## Cooling system

Coolant	See chapter Coolant
Coolant volume, excluding radiator (dm <sup>3</sup> /US gallon) With heat exchanger With keel cooling, with 1 coolant circuit (only engine) With keel cooling, with 2 coolant circuits (only engine)	63/16.6 53/14.0 50/13.2
Coolant temperature (°C/°F) With heat exchanger With keel cooling	86-91/187-196 78-83/172-181
Number of thermostats With heat exchanger With keel cooling	2 1
Thermostat opening temperature (°C/°F) With heat exchanger With keel cooling	82/180 75/167

## Injection system

Type	PDE
Control system	EMS
Fuel filter	Paper filter from Scania
Fuel filter with water separator	Paper filter from Scania

## Electrical system

Type	2-pin, 24 V, DC
Starter motor, standard equipment	2-pin, 24 V, 7.0 kW
Alternator, standard equipment	2-pin, 28 V, 100 A

## Material content

The values indicate an approximate percentage for the different materials that make up the engine.

Material	% by weight
Steels	40
Cast iron (30% recycled)	46
Aluminium	8
Copper, bronze, brass, zinc	1.5
Lead	<0.1
Plastic	<1
Rubber	<1
Glass	0
Colours	<1
Oils and greases	3

## Recycling

Type of material	Recommended recycling method
Metal	Recycling.
Plastic	Recycling, combustion.
Chemicals and oils	Re-use if possible; otherwise hand in to an authorised waste disposal contractor.
Fuel filter and oil filter	Hand in to an authorised waste disposal contractor.
Colour	No known recycling methods.
Electronics	Hand in to an authorised waste disposal contractor.

## Tightening torque for screw joint

### Screws and nuts

#### Hexagon screws, hexagon socket screws, Torx screws, hexagon nuts

Metric thread. Strength class 8.8/8.

Thread	Tightening torque	
	Nm	Lb-ft
M4	2.9	21
M5	6	4
M6	9.5	7
M8	24	18
M10	47	35
M12	84	62
M14	135	100
M16	210	155
M18	290	214
M20	420	310
M22	580	428
M24	730	538

#### Flange screws with hexagonal head and hexagonal flange nuts

Metric thread. Strength class 8.8/8.

Thread	Tightening torque	
	Nm	Lb-ft
M5	6.7	5
M6	10.2	8
M8	26	19
M10	50	37
M12	92	38
M14	149	110
M16	184	136

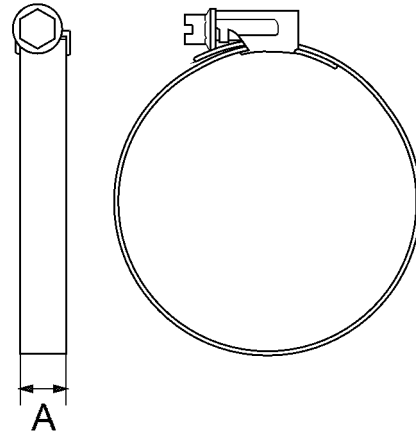
## Hose clamps

Specifications in the tables show tightening torque when tightening by hand.

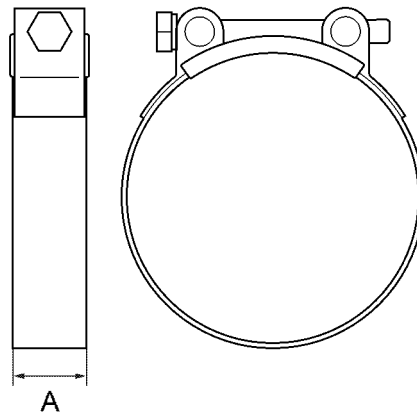
### Note:

The maximum tightening torque for a new unfitted hose clamp is 1 Nm (0.7 lb-ft).

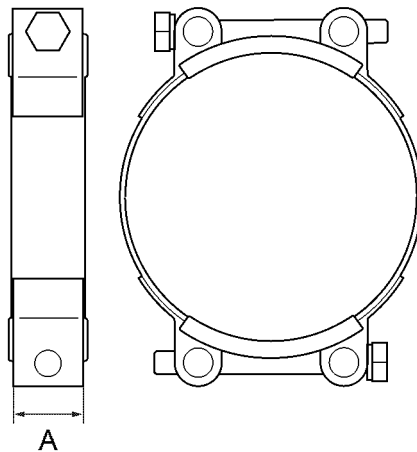
A = width (mm)	Tightening torque	
	Nm	Lb-ft
7.5-9	1.5	1
12	5	4
20	10	7
25	20	15



456 919



456 920



456 921



## Scania Assistance

Wherever you are, you can always get assistance from Scania's service organisation, Scania Assistance, 24 hours a day, every day of the year.

Always call the contact for your country.

Country	Tel.	Country	Tel.
Austria	+43 1 256 44 11	Latvia	+371 29 44 24 24
America	+1 (0) 800 272 2642	Lithuania	+46 8 52 24 24 24
America	1 800 272 2642	Luxembourg	+32 2 264 00 00
Argentina	800,999,722,642	Malaysia	1800 08 8500
Australia	+611300722642	Malaysia	+6035590907
Belgium	+32 2 264 00 00	Mexico	+543327451092
Botswana	+267 72 102 591	Morocco	+3222640000
Brazil	+8000194224	Namibia	+264634461352
Bulgaria	+359 88 666 0001	Netherlands	+31 76 52 54 111
Chile	188,800,722,642	Norway	+47 223 217 00
Colombia	+1800184548	Peru	0800-51-727
Czech Republic	+420,225,020,225	Peru	(01)512-1877
Denmark	+45 333 270 44	Poland	+48 22 331 22 33
Estonia	Tallinn: +372 5153 388	Portugal	+34 91 678 9247
Estonia	Tartu: +372 5126 333	Romania	+40 723 27 27 26
Estonia	Pämu: +372 5071 477	Russia	+7(495) 925 77 75
Estonia	Rakvere: +372 5074 655	Singapore	+6565917180
Finland	+358 10 555 24	Slovakia	+421,903,722,048
France	+33 2 414 132 32	South Africa	0 800 005 798
Germany	+49 261 887 8888	South Africa	+27 11 226 5005
Great Britain	0 800 800 660	Spain	+34 91 678 80 58
Great Britain	+441274301260	Sweden	+46 42 100 100
Hungary	+36,209,727,197	Switzerland	+41 800 55 24 00
Ireland	+353 71 963 4000	Thailand	+66819397525
Italy	+39046 1996222	Thailand	+1800 019 88
Latvia	+46 8 52 24 24 24	Uruguay	0 800 835 1

Other countries: +46 8 52 24 24 24

### Note:

Calls will be recorded for training purposes.